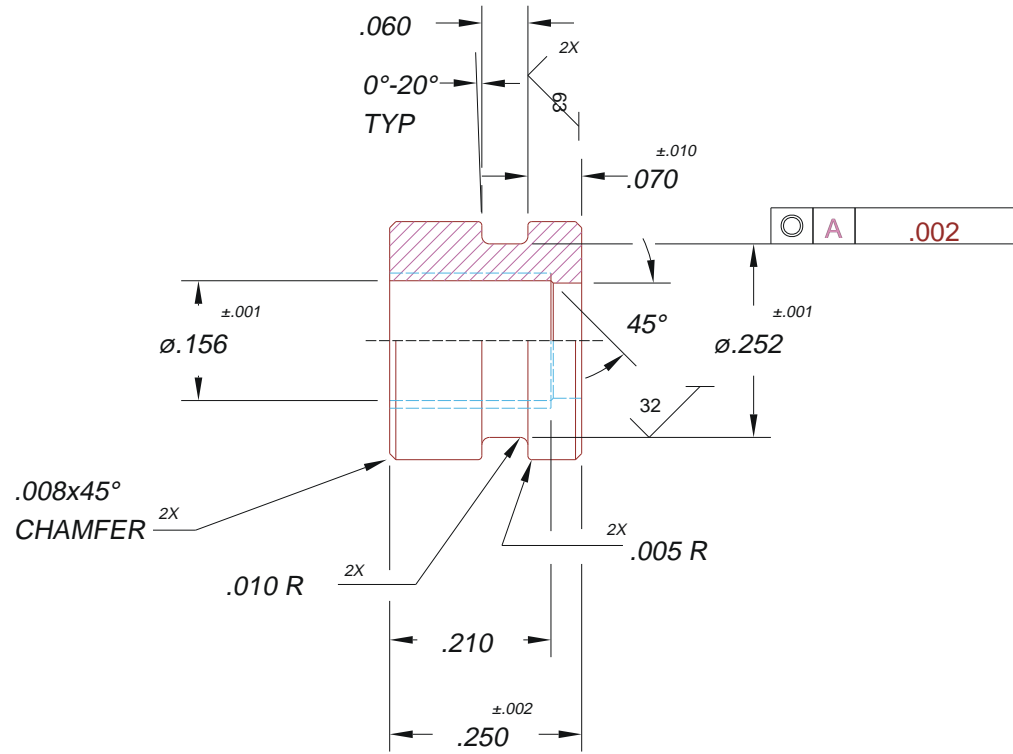
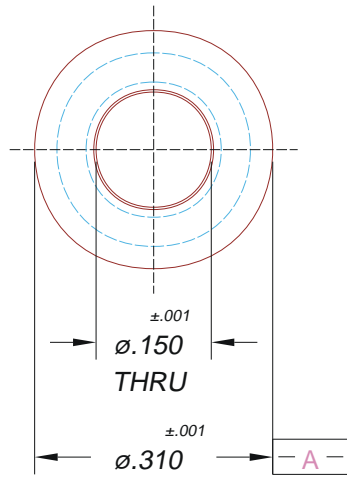
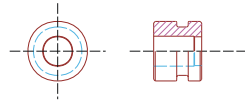


ACTUAL SIZE



NOTES:

1. REF-USES A 5-179 O-RING.

TITLE OR PAVE ORDER CODE	
SP5 ( $\phi.5/16x1/4$ )	
PART NUMBER	PROJECTION
0021	