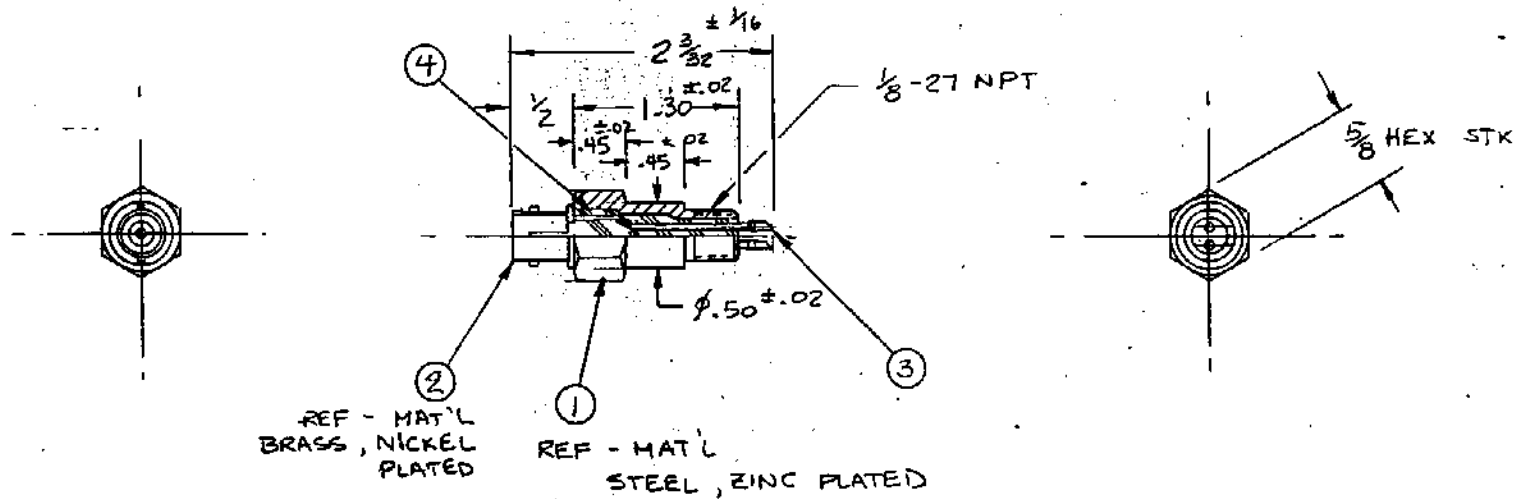


DO NOT SCALE PRINT

INSTR. LET.	ALTERATIONS	CHANGE NO.	DATE



REF - MAT'L
BRASS, NICKEL
PLATED

REF - MAT'L
STEEL, ZINC PLATED

PAVE Technology Co.
Pressure and Vacuum Electronics
Custom Hermetic Connectors

PAVE

TITLE: 1/8 NPT BNC/CUP F.T.

NOTED

DR. BY: *[Signature]* CHECKED BY: *[Signature]* DRAWN FROM: DY.GOR

DATE: 6/8/87 SCALE: 1/1

PART NUMBER: 50117

ITEM #	PART #	QTY	DESCRIPTION
4	PAVE 001	1/R	EPOXY 150°C
3	17-764-2	2	SOLDER CUPS BY PLATED MATERIAL
2	74868	1	BNC CONNECTOR
1	0040	1	1/8 NPT SHOULDER 4SG

ALL DIM. AND TOLERANCES APPLY TO FINISHED PART UNLESS OTHERWISE SPECIFIED.
ALLOWABLE TOLERANCES UNLESS OTHERWISE SPECIFIED:
FRACTIONS ± 1/64 DECIMALS ± .001 ANGLES ± 1°

SEAL

FINISH