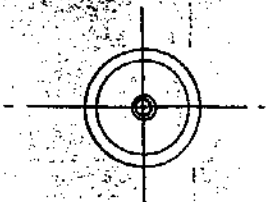
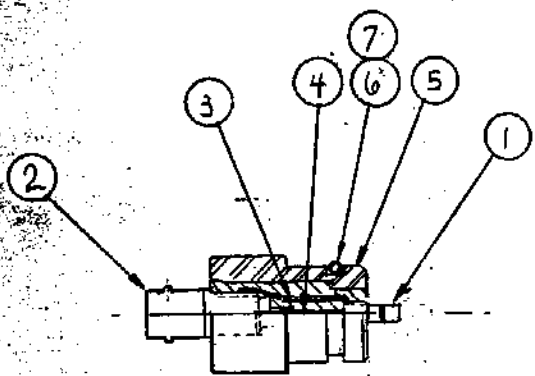


DO NOT SCALE PRINT

REV. LET.	ALTERATIONS	CHANG. NO.	DATE
A	O-RING & BACKUP RING WERE NOTED -#13-	111	2/6/88



- 3. OPERATING TEMPERATURE 200° C
- 2. PRESSURE TEST - 100% 10,000 PSI N₂ OVER OIL
- 1. NOMINAL IMPEDANCE 50 Ω

NOTES:

7	—	PARKER B ² O ₁₆ BACK UP RING, VITON
6	—	O-RING -D16, VITON
5	0134	HOUSING, 304 STAINLESS STL
4	—	26 AWG COPPER WIRE
3	—	SHIELD PER PAVE #B SPEC
2	UG-109HAK	BNC RECEPTACLE FRONT MOUNT, STD
1	27-3	AMPHENOL SUB-MINAX SHARDN RECEPTACLE
ITEM NO	PART NO	DESCRIPTION

PAVE Technology Co.
Pressure and Vacuum Electronics
Custom Hermetic Connectors

PAVE

TITLE: BNC/SUB-MINAX FEEDTHRU

MATERIAL: ASSEMBLY SEE B.O.M.

DR BY: *HW* APPROVED BY: *WJ* DRAWN FROM: RE/SPEC

CHK BY: DATE: 10/22/87 SCALE: 1/1

PART NUMBER: 0133

SEAL
FINISH

ALL DIM. AND TOLERANCES APPLY TO FINISHED PART UNLESS OTHERWISE SPECIFIED.
ALLOWABLE TOLERANCES UNLESS OTHERWISE SPECIFIED:
FRACTIONS = 1/64 DECIMALS = .005 HOLES = .015