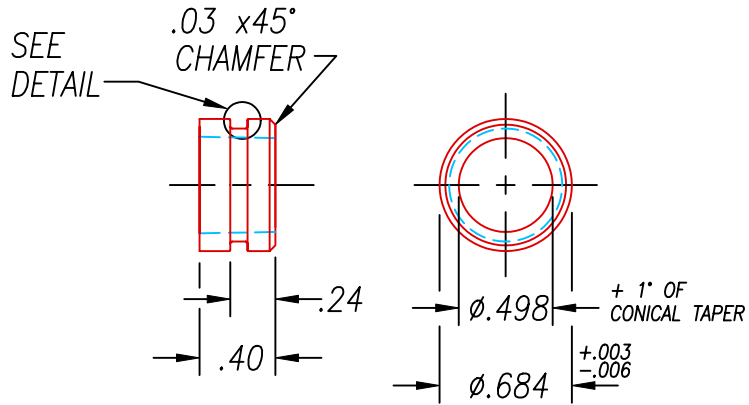
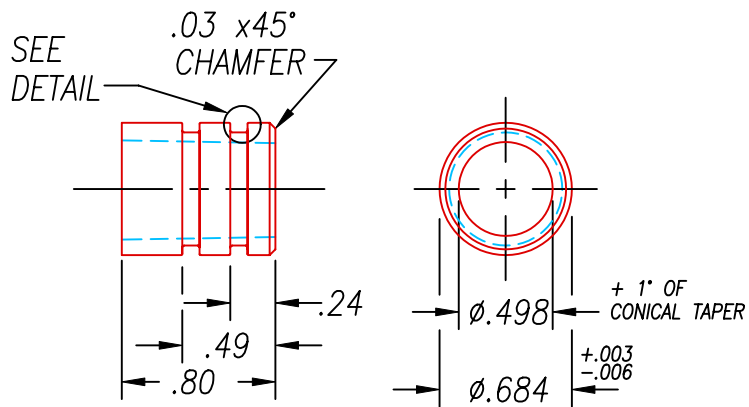


SP11S MOLDED HOUSING



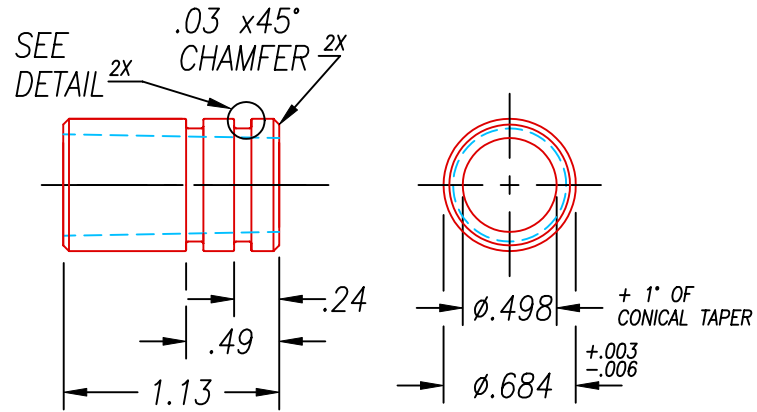
*REF-MADE WITH SP11S MOLD INSERT

SP11M MOLDED HOUSING

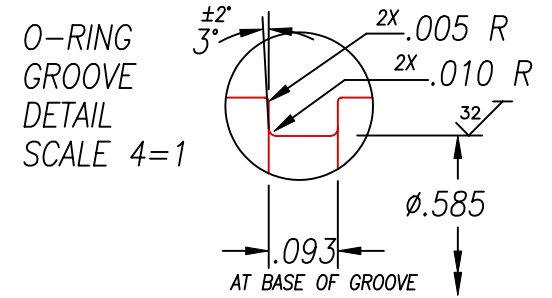


*REF-MADE WITH SP11M MOLD INSERT

SP11L MOLDED HOUSING



*REF-MADE WITH SP11L MOLD INSERT



NOTES:

1. FINISHED PARTS ARE DEFLASHED ON PARTING LINE AND CLEANED.
2. SEE 1379 FOR DIMS ON SP11* MOLD INSERTS-REF.

ALL DIMENSIONS AND TOLERANCES APPLY TO FINISHED PART IN INCHES
 ALLOWABLE TOLERANCES UNLESS SPECIFIED OTHERWISE: NONE +/-0.5
 .X DECIMAL +/- 0.1 .XX DECIMAL +/- 0.02 .XXX DECIMAL +/-0.005
 ANGLES +/- 1 DEG SURFACE FINISH 128 microinch RMS

2751 Thunderhawk Court
 Dayton, Ohio 45414-3445
 U.S.A.
 (937)890-1100
 fax (937)890-5165
 www.pavetechnologyco.com

PAVE technology co.

DESCRIPTION	
SP11 MOLDED HOUSING	
PART NUMBER	REVISION LEVEL
1374	B
PROJECTION	