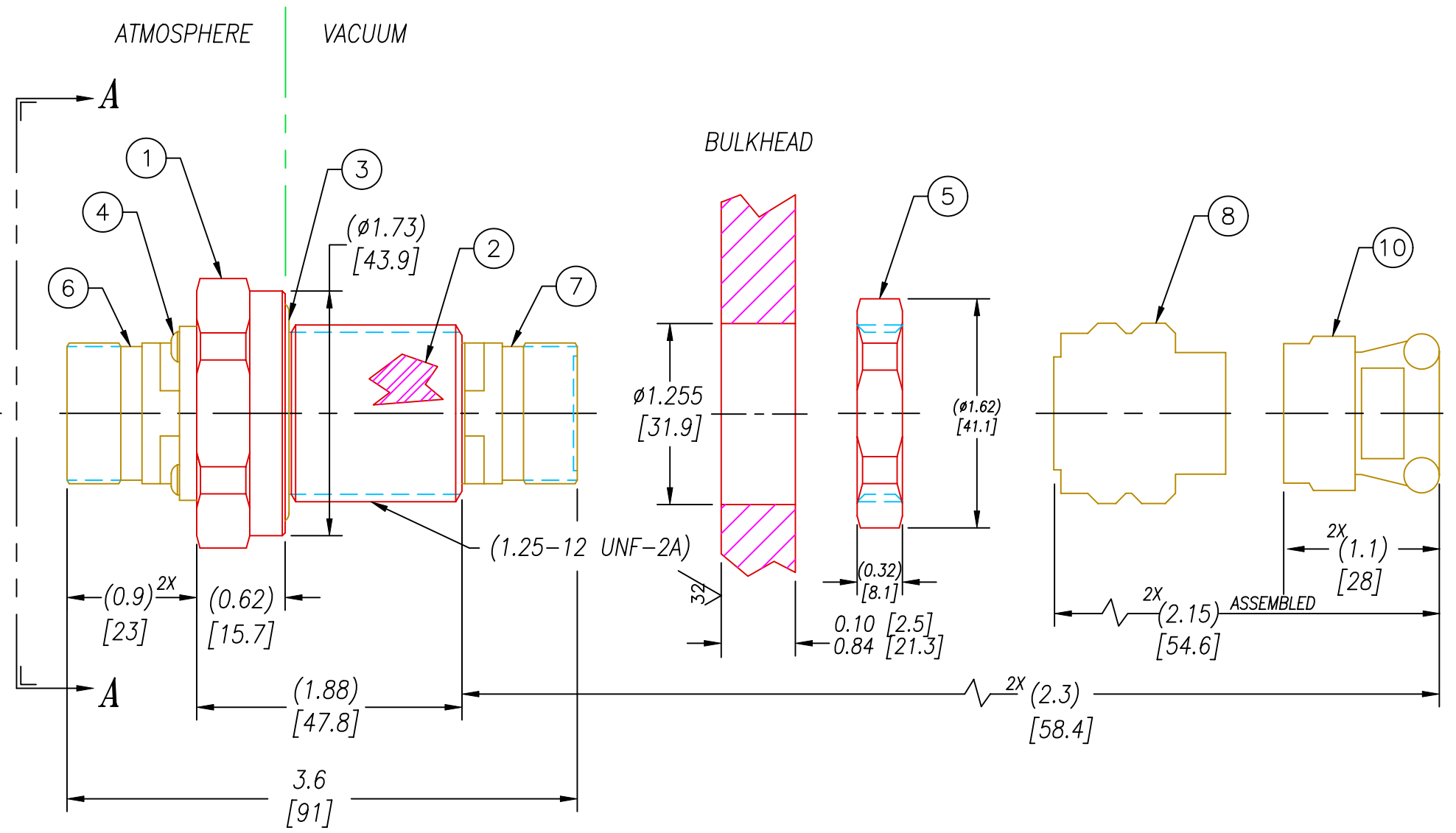
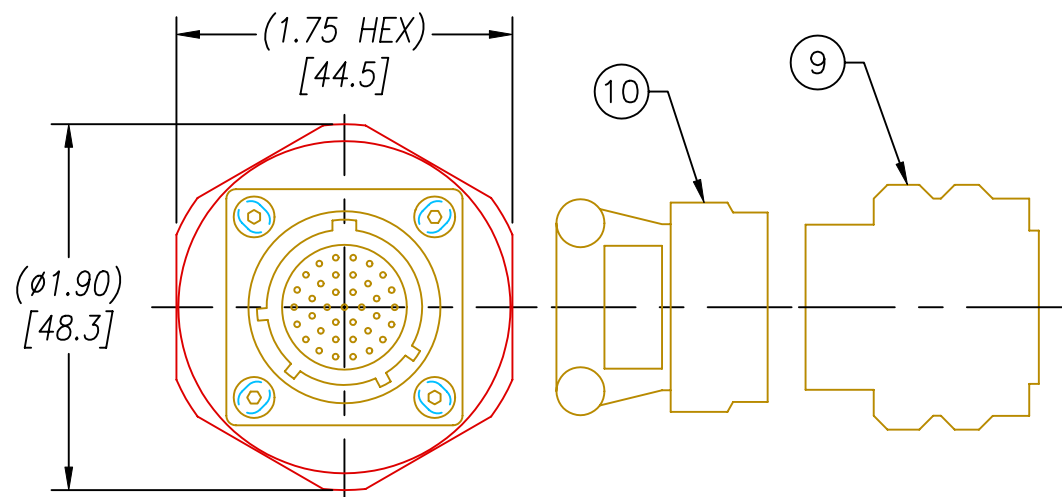


VIEW A-A



- NOTES:**
1. HE LEAK TEST @1 ATM. LESS THAN 10×10^{-7} CC/S.
 2. HYPOT 630 VDC 500 MΩ 0.01 SEC MINIMUM W/MATING PLUGS, PIN TO SOCKET & HOUSING.
 3. ALL TESTS ARE PERFORMED AT ROOM TEMPERATURE.
 4. ALL PARTS MUST PASS ALL TESTS.
 5. CONTINUITY TEST W/MATING PLUGS -1.0 OHM MAX
 6. REF-CRIMP TOOL M22520/2-01 WITH POSITIONER 2-07
 7. REF-INSERTION TOOL M81969/14-01
 8. REF-REMOVAL TOOL M81969/14-02
 9. REF- 22D CONTACTS & INS/REM TOOL SUPPLIED W/PLUGS
 10. (3) THERMAL CYCLES - BEFORE LEAK & ELECTRICAL TESTING. -40°C TO 125°C WITH 2 HR MIN SOAK AT EXTREMES.
 11. DIMENSIONS ARE INCHES [millimeters].

10	2	M85049/38-15N	SR/CLAMP STRAIGHT 999-3 15
9	1	26FD35SN	PLUG 37#22 SOC
8	1	26FD35PN	PLUG 37#22 PIN
7	1	20FD35SN	RCPT 37#22 SOC
6	1	20FD35PN	RCPT 37#22 PIN
5	1	1014	NUT VS18-SS
4	4	4-40X.25 BHCS-SS	SCREW 4-40X.25 BHCS SS
3	1	-219 VITON	O-RING -219 VITON 75
2	A/R	PAVE-Seal 150	EPOXY BLACK
1	1	3389	HOUSING VS18-SS
ITEM	QTY	PART#	DESCRIPTION

ALL DIMENSIONS AND TOLERANCES APPLY TO FINISHED PART IN INCHES
 ALLOWABLE TOLERANCES UNLESS SPECIFIED OTHERWISE: NONE +/-0.5
 .X DECIMAL +/- 0.1 .XX DECIMAL +/- 0.02 .XXX DECIMAL +/-0.005
 ANGLES +/- 1 DEG SURFACE FINISH 128 microinch RMS

PAVE technology co.
 2751 Thunderhawk Court
 Dayton, Ohio 45414-3445
 U.S.A.
 (937)890-1100
 fax (937)890-5165
 www.pavetechnologyco.com

DESCRIPTION **PAVE-Mate I Connectors**
VS18-SS-150-37-22-99920PS(V)

PART NUMBER **1525**

REVISION LEVEL **E**

PROJECTION