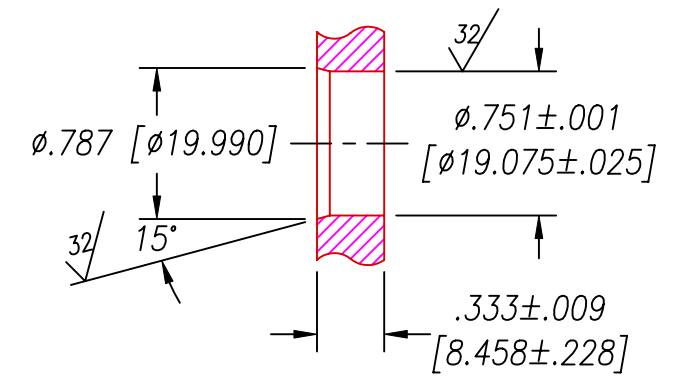


SPF12 INSTALLATION PORT



RECOMMENDED RETAINING RING  
TRUARC #5100-75 OR EQUAL

NOTES:

1. LEAK TEST: 80 PSI, NO BUBBLES 30 SECONDS MINIMUM.
2. HYPOT 630 VDC 500 MΩ 0.01 SEC MINIMUM, WIRE TO WIRE & LEAK TEST PORT.
3. ALL TESTS ARE PERFORMED AT ROOM TEMPERATURE.
4. ALL PARTS MUST PASS ALL TESTS.
5. NO VOIDS ARE ACCEPTABLE ON O-RING SEALING SURFACES, VOIDS SMALLER THAN Ø.035 [Ø.89] ARE ACCEPTABLE ON ALL OTHER SURFACES.
6. DIMENSION IS OVERALL LENGTH EXCLUDING OVERFILL ON ATMOSPHERE SIDE OF HOUSING.
7. REF-PARTS ARE DEFLASHED ON PARTING LINE +.005 [.13] MAXIMUM.
8. DIMENSIONS ARE INCHES [millimeters].

8	1	PARKER O-LUBE	LUBRICANT O-RING BARIUM-BASED
7	1	-016 VITON	O-RING -016 VITON 75
6	1	TZZ10 WHITE	WIRE TZZ10 MIL-W-22759/16-10-9
5	1	TZZ10 RED	WIRE TZZ10 MIL-W-22759/16-10-2
4	1	TZZ10 GREEN	WIRE TZZ10 MIL-W-22759/16-10-5
3	1	TZZ10 BLACK	WIRE TZZ10 MIL-W-22759/16-10-0
2	A/R	PAVE-Seal 150	EPOXY BLACK
1	1	0130	HOUSING SPF12-E
ITEM	QTY	PART#	DESCRIPTION

ALL DIMENSIONS AND TOLERANCES APPLY TO FINISHED PART IN INCHES  
ALLOWABLE TOLERANCES UNLESS SPECIFIED OTHERWISE: NONE +/-0.5  
.X DECIMAL +/- 0.1 .XX DECIMAL +/- 0.02 .XXX DECIMAL +/-0.005  
ANGLES +/- 1 DEG SURFACE FINISH 128 microinch RMS

2751 Thunderhawk Court  
Dayton, Ohio 45414-3445  
U.S.A.  
(937)890-1100  
fax (937)890-5165  
www.pavetechnologyco.com

**PAVE technology co.**

DESCRIPTION **PAVE-Seal Cable Harnesses**  
**SPF12-E-150-4-TZZ10-24-36**

PART NUMBER **1575**

REVISION LEVEL **E**

PROJECTION