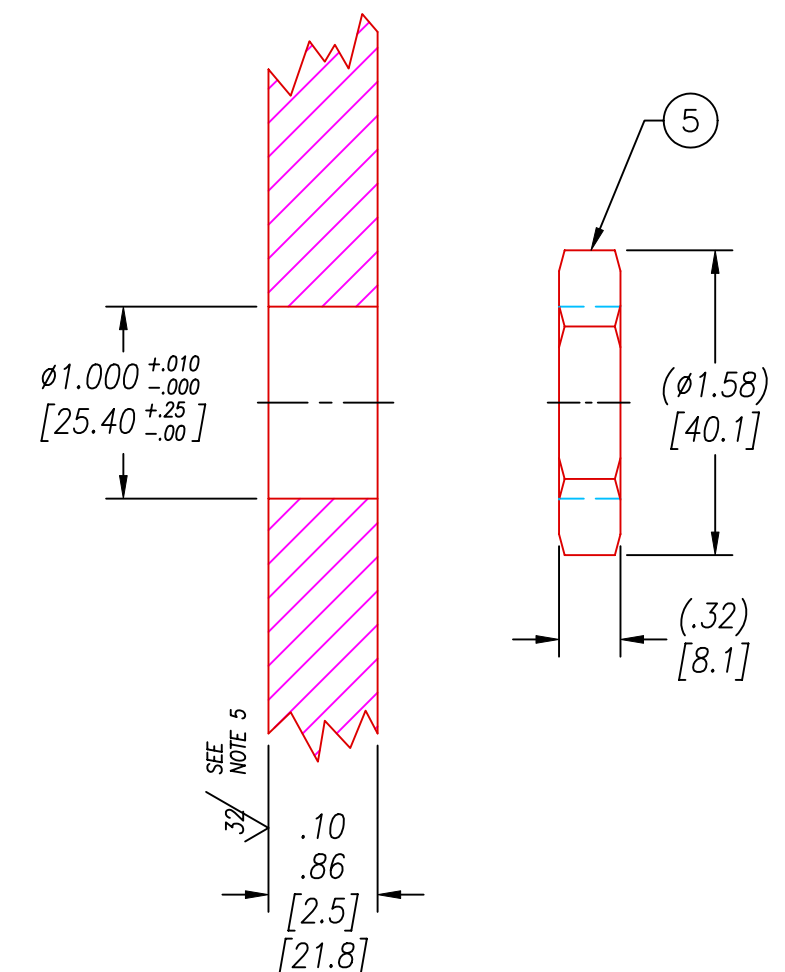


BULKHEAD-REF ONLY



WIRE LENGTH TABLE

PART#	X	(Z)
1601	48 [1219]	(98) [2489]
1601-1	96 [2438]	(194) [4928]

- NOTES:
1. HE LEAK TEST @1 ATM. 10×10^{-7} CC/S OR LESS.
 2. HYPOT 630 VDC 500 MΩ .01 SEC MINIMUM, WIRE TO WIRE & HOUSING.
 3. ALL TESTS ARE PERFORMED AT ROOM TEMPERATURE.
 4. ALL PARTS MUST PASS ALL TESTS.
 5. FINISH APPLIES TO SPOTFACE FOR O-RING SEAL ONLY.
 6. DIMENSIONS ARE INCHES [millimeters].

5	1	0183	NUT VS15-SS
4	1	-215 VITON	O-RING -215 VITON 75
3	9	KT20	CABLE T/C TYPE K 20AWG TEFLON
2	A/R	PAVE-Seal 150	EPOXY BLACK
1	1	0161	HOUSING VS15L-SS
ITEM	QTY	PART#	DESCRIPTION

ALL DIMENSIONS AND TOLERANCES APPLY TO FINISHED PART IN INCHES
 ALLOWABLE TOLERANCES UNLESS SPECIFIED OTHERWISE: NONE +/-0.5
 .X DECIMAL +/- 0.1 .XX DECIMAL +/- 0.02 .XXX DECIMAL +/-0.005
 ANGLES +/- 1 DEG SURFACE FINISH 128 microinch RMS

2751 Thunderhawk Court
 Dayton, Ohio 45414-3445
 U.S.A.
 (937)890-1100
 fax (937)890-5165
 www.pavetechnologyco.com

PAVE technology co.

DESCRIPTION PAVE-Seal Cable Harnesses SEE TABLE
VS15L-SS-150-9P-KT20-X-X

PART NUMBER **1601**

REVISION LEVEL **E**

PROJECTION