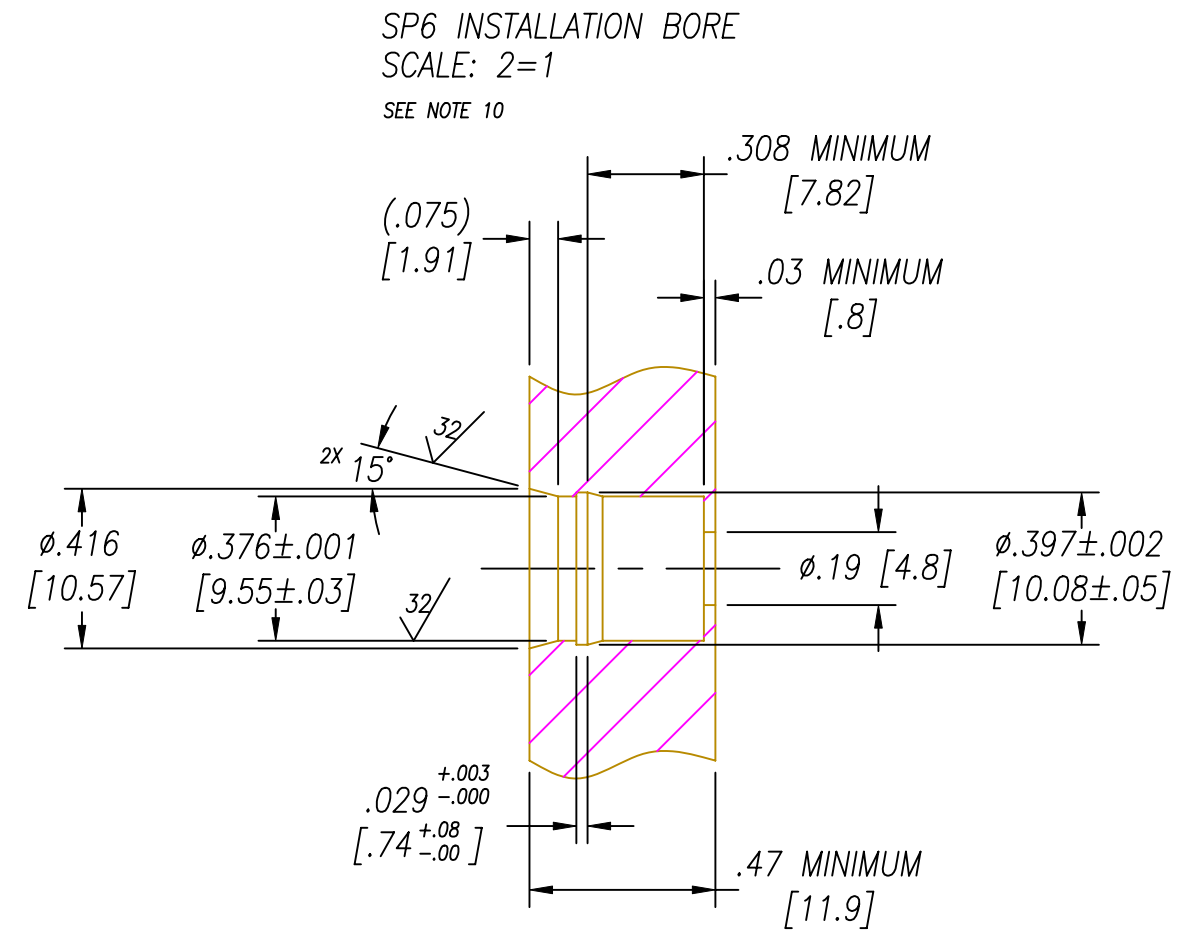
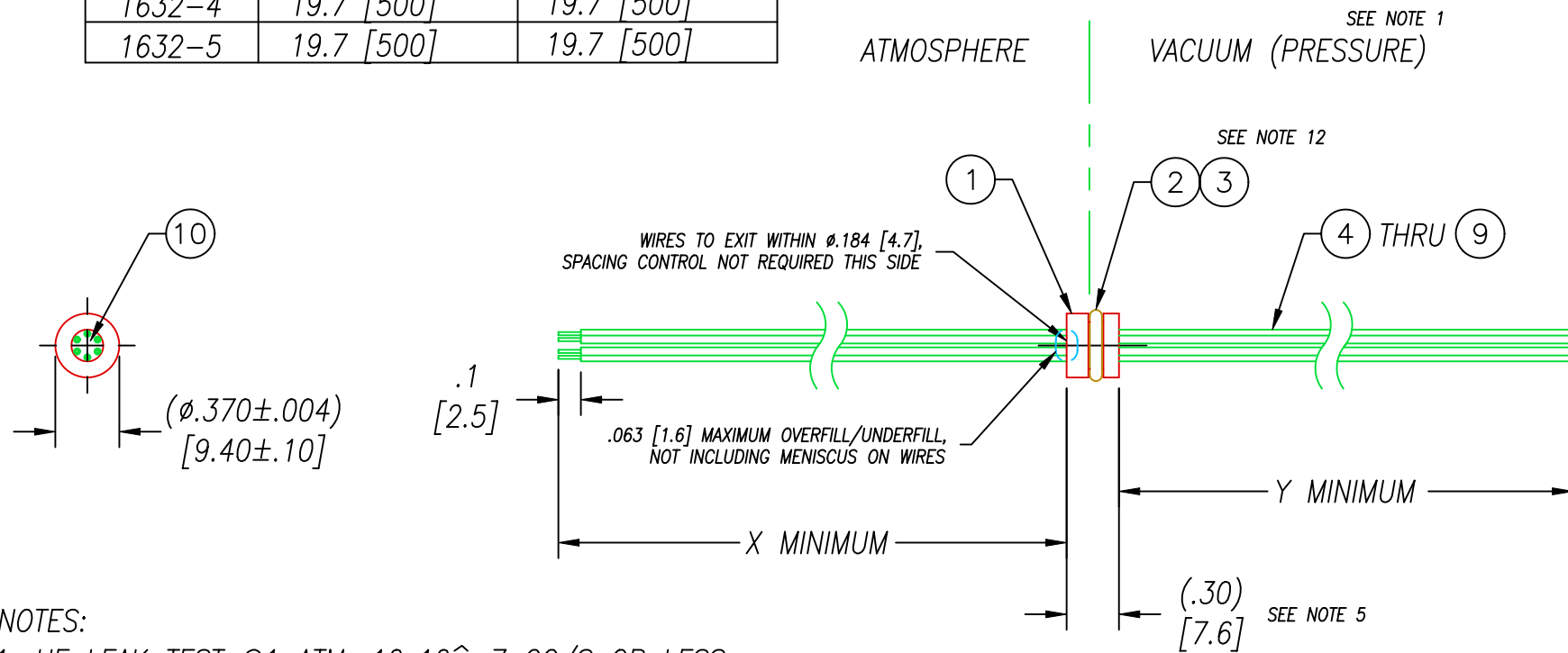


WIRE LENGTH TABLE

PAVE #	X	Y
1632	19.7 [500]	19.7 [500]
1632-1	48 [1219]	18 [457]
1632-2	5 [127]	5 [127]
1632-3	19.7 [500]	19.7 [500]
1632-4	19.7 [500]	19.7 [500]
1632-5	19.7 [500]	19.7 [500]



NOTES:

- HE LEAK TEST @1 ATM. 10×10^{-7} CC/S OR LESS.
1632-3: N2 LEAK TEST @4400 PSI, NO BUBBLES 2 MINUTES MINIMUM.
- HYPOT 630 VDC 500 MΩ .01 SEC MINIMUM, WIRE TO WIRE.
- ALL TESTS ARE PERFORMED AT ROOM TEMPERATURE.
- ALL PARTS MUST PASS ALL TESTS.
- DIMENSION IS OVERALL LENGTH EXCLUDING OVERFILL ON ATMOSPHERE SIDE OF HOUSING.
- WIRES ARE NOT REQUIRED TO BEND SHARPLY AT EPOXY SEAL SURFACE.
- NO VOIDS ARE ACCEPTABLE ON O-RING SEALING SURFACES, VOIDS SMALLER THAN $\phi.035$ [.89] ARE ACCEPTABLE ON ALL OTHER SURFACES.
- WIRE COLOR POSITIONS ARE APPROXIMATE AND VARIABLE.
- DIMENSION ARE IN INCHES [millimeters].
- REF-REPLACE O-RING IF REMOVED FROM PORT.
- FOR 1632-4: REPLACE ITEM 2 WITH -010 BUNA.
- FOR 1632-5: O-RING IS INSTALLED DRY (NO ITEM 3). ISOPROPYL ALCOHOL IS USED AS LUBRICATION FOR LEAK TESTING.

RECOMMENDED RETAINING RING
ROTOR CLIP HO-37 OR EQUIVALENT

10	A/R	PAVE-Seal 150	EPOXY BLACK
9	1	E28 WHITE	WIRE 28E MIL-W-16878/4 .010 7/#36 WHITE
8	1	E28 RED	WIRE 28E MIL-W-16878/4 .010 7/#36 RED
7	1	E28 ORANGE	WIRE 28E MIL-W-16878/4 .010 7/#36 ORANGE
6	1	E28 GREEN	WIRE 28E MIL-W-16878/4 .010 7/#36 GREEN
5	1	E28 BLUE	WIRE 28E MIL-W-16878/4 .010 7/#36 BLUE
4	1	E28 BLACK	WIRE 28E MIL-W-16878/4 .010 7/#36 BLACK
3	A/R	SUPER-O-LUBE	LUBRICANT O-RING SILICONE BASED
2	1	-010 VITON	O-RING -010 VITON 75
1	1	0168	HOUSING SP6-E
ITEM	QTY	PART#	DESCRIPTION

ALL DIMENSIONS AND TOLERANCES APPLY TO FINISHED PART IN INCHES
ALLOWABLE TOLERANCES UNLESS SPECIFIED OTHERWISE: NONE +/-0.5
.X DECIMAL +/- 0.1 .XX DECIMAL +/- 0.02 .XXX DECIMAL +/-0.005
ANGLES +/- 1 DEG SURFACE FINISH 128 microinch RMS

2751 Thunderhawk Court
Dayton, Ohio 45414-3445
U.S.A.
(937)890-1100
fax (937)890-5165
www.pavetechnologyco.com

DESCRIPTION PAVE-Seal® Cable Harnesses SEE TABLE
SP6-E-150-6-TE28-X-Y

PART NUMBER
1632

REVISION LEVEL L
PROJECTION