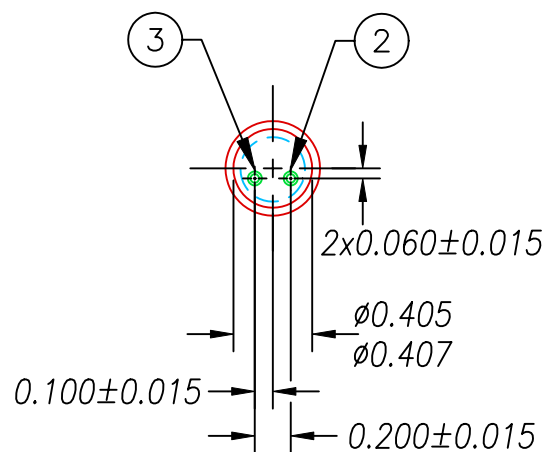
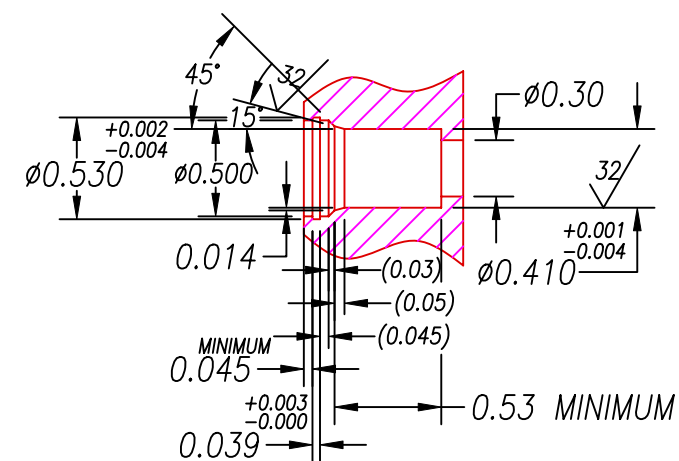


$\phi 0.490$
 $\phi 0.495$



INSTALLATION PORT
RECOMMEND TRUARC N5000-50 RETAINING RING OR EQUAL



NOTES:

1. LEAK TEST: 100 PSI, NO BUBBLES 1.5 MINUTES MINIMUM.
2. HYPOT 1050 VAC 1mA MAXIMUM LEAKAGE 60 ± 5 SECONDS, WIRE TO WIRE AND ALL WIRES TO HOUSING IN LEAK TEST PORT. ATTACH TAG TO ONE WIRE (FLANGSIDE), "LEAD TEST, BODY TEST, 1050 V, AND [DATE]".
3. HYPOT 500 VDC 100 M Ω 10 ± 2 SECONDS, WIRE TO WIRE AND ALL WIRES TO HOUSING IN LEAK TEST PORT. ATTACH TAG TO OPPOSITE WIRE AS ABOVE (FLANGE SIDE), "LEAD INSULATION TEST, BODY INSULATION TEST AND [DATE]".
4. ALL TESTS ARE PERFORMED AT ROOM TEMPERATURE.
5. PERCENTAGE OF PARTS TESTED WILL BE 100% (MAY BE A LESSER PERCENTAGE FOR LARGE PRODUCTION QUANTITIES, UNLESS OTHERWISE NOTED OR REQUIRED).
6. WIRES ARE NOT REQUIRED TO BEND SHARPLY AT EPOXY SEAL SURFACE.
7. NO VOIDS LARGER THAN $\phi 0.035$ ARE ACCEPTABLE.

7	A/R	SUPER O-LUBE	LUBRICANT O-RING SILICONE BASED
6	4	DAT-29-502-1	MARKERS WIRE BRADY
5	A/R	PAVE-Seal 150	EPOXY BLACK
4	1	5-712 BUNA 70 LT	O-RING 5-712 BUNA 70 LOW TEMP
3	1	EE18 WHT FEP	WIRE 18FEP MIL-W-16878/12
2	1	EE18 BLK FEP	WIRE 18FEP MIL-W-16878/12
1	1	0126 SPF7	HOUSING SPF7.5-P
ITEM	QTY	PART#	DESCRIPTION

ALL DIMENSIONS AND TOLERANCES APPLY TO FINISHED PART IN INCHES
ALLOWABLE TOLERANCES UNLESS SPECIFIED OTHERWISE: NONE ± 0.5
.X DECIMAL ± 0.1 .XX DECIMAL ± 0.02 .XXX DECIMAL ± 0.005
ANGLES ± 1 DEG SURFACE FINISH 128 microinch RMS



DESCRIPTION PAVE-Seal Cable Harnesses
SPF7.5-PH-150-2-TE18-5-12

PART NUMBER
1673

REVISION
LEVEL A

