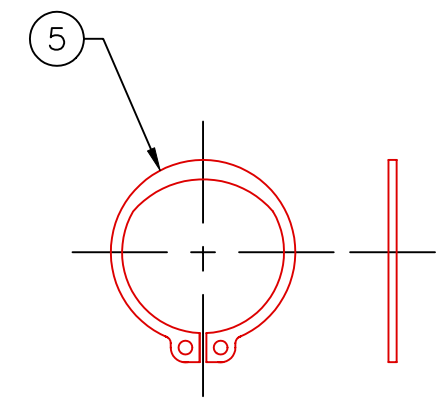


RECOMMENDED RETAINING RING
TRUARC #5100-75 OR EQUAL



19	1	PC28 WHT/ORANGE	WIRE 28PC UL1007 .016 7/#36
18	1	PC28 WHT/GREEN	WIRE 28PC UL1007 .016 7/#36
17	1	PC28 WHT/BLUE	WIRE 28PC UL1007 .016 7/#36
16	1	PC28 WHT/RED	WIRE 28PC UL1007 .016 7/#36
15	1	PC28 ORANGE	WIRE 28PC UL1007 .016 7/#36
14	1	PC28 YELLOW	WIRE 28PC UL1007 .016 7/#36
13	1	PC28 BROWN	WIRE 28PC UL1007 .016 7/#36
12	1	PC28 GREEN	WIRE 28PC UL1007 .016 7/#36
11	1	PC28 VIOLET	WIRE 28PC UL1007 .016 7/#36
10	1	PC28 BLACK	WIRE 28PC UL1007 .016 7/#36
9	1	PC28 WHITE	WIRE 28PC UL1007 .016 7/#36
8	1	PC28 BLUE	WIRE 28PC UL1007 .016 7/#36
7	1	PC28 GREY	WIRE 28PC UL1007 .016 7/#36
6	1	PC28 RED	WIRE 28PC UL1007 .016 7/#36
5	1	RR 5100-75-HST	RETAINING RING EXTERNAL .750SS
4	A/R	SUPER O-LUBE	LUBRICANT O-RING SILICONE
3	1	-016 VITON	O-RING -016 VITON 75
2	A/R	PAVE-Seal 150	EPOXY BLACK
1	1	0130	HOUSING SPF12-E
ITEM	QTY	PART#	DESCRIPTION

NOTES:

- HE LEAK TEST @1 ATM. 10×10^{-6} CC/S OR LESS.
- HYPOT 630 VDC 500 M Ω 0.01 SEC MINIMUM, WIRE TO WIRE.
- ALL TESTS ARE PERFORMED AT ROOM TEMPERATURE.
- ALL PARTS MUST PASS ALL TESTS.
- WIRES ARE NOT REQUIRED TO BEND SHARPLY AT EPOXY SEAL SURFACE.
- WIRE COLOR POSITIONS ARE VARIABLE.
- DIMENSIONS ARE IN INCHES [MILLIMETERS].

ALL DIMENSIONS AND TOLERANCES APPLY TO FINISHED PART IN INCHES
ALLOWABLE TOLERANCES UNLESS SPECIFIED OTHERWISE: NONE +/-0.5
.X DECIMAL +/- 0.1 .XX DECIMAL +/- 0.02 .XXX DECIMAL +/-0.005
ANGLES +/- 1 DEG SURFACE FINISH 128 microinch RMS

2751 Thunderhawk Court
Dayton, Ohio 45414-3445
U.S.A.
(937)890-1100
fax (937)890-5165
www.pavetechnologyco.com

PAVE technology co.

DESCRIPTION PAVE-Seal Cable Harnesses
SPF12-E-150-14-PC28-165-25CM

PART NUMBER
1689

REVISION LEVEL
D

PROJECTION