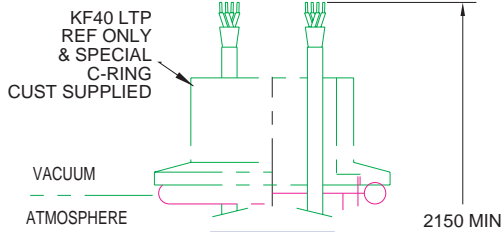
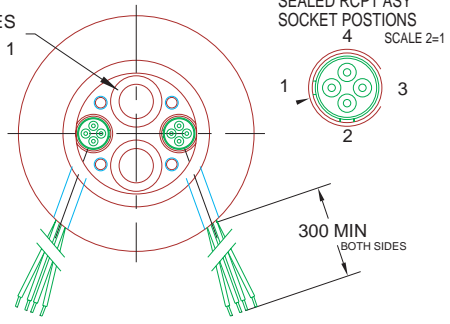
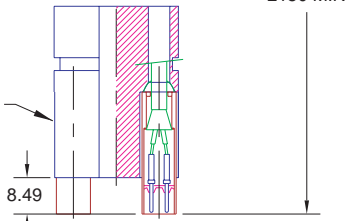


PLUG HOLES FOR NOTE 1

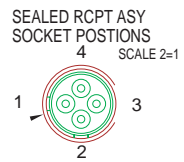
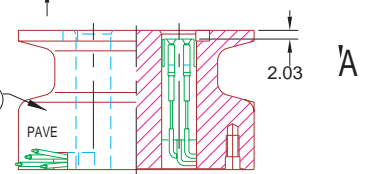
VIEW A-A



ASP3114 REF ONLY

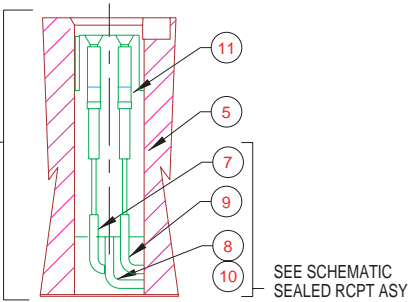
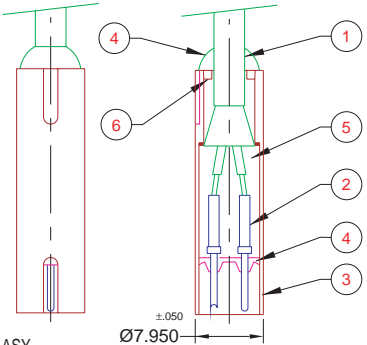


SEE NOTE 8 ON PREP



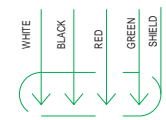
PLUG/CABLE ASY  
VIEW ROTATED 90°  
SCALE 2=1

2X  
SEALED RCPT ASY  
SCALE 2=1

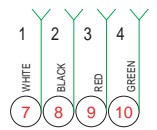


2X  
PLUG/CABLE ASY  
SCALE 2=1

SCHEMATIC



SCHEMATIC  
SEALED RCPT ASY



NOTES:

- HE LEAK TEST @ 1 ATM. <10<sup>-5</sup> CC/S AIR EQUIVALENT. SEALED RCPT ASY IN ASP3112 WINDOW HOUSING NOTED DIRECTION. (REF- CUSTOMER REQUIREMENT <.1 CC/S )
- HYPOT 630 VDC 500 MEGOHMS .01 SEC MINIMUM, WIRE TO WIRE & HOUSING FOR BOTH PLUG/CABLE ASY & SEALED RCPT ASY.
- ELECTRICAL CONTINUITY-SEALED RCPT ASY WIRE ENDS TO PLUG/CABLE ASY WIRE ENDS .3 OHM MAX ALL WIRES & 2 OHM MAX FOR SHIELD TO ITEM 3.
- ALL TESTING DONE AT ROOM TEMPERATURE.
- THIS SUPERSEDES PAVE CATALOG SPECIFICATIONS.
- INTEGRATED ASSEMBLY TO BE CONSISTENT WITH ASP3112 REV B, ASP3114 REV A, AND THEIR FLUSH MOUNTING.

12	1	ASP3112	WINDOW HOUSING CUSTOMER SUPPLIED
11	8	M39029/57-354	CONTACT SOC 22D
10	2x1FT	E24 GREEN	WIRE 24E MIL-W-16878/4 7/34
9	2x1FT	E24 RED	WIRE 24E MIL-W-16878/4 7/34
8	2x1FT	E24 BLACK	WIRE 24E MIL-W-16878/4 7/34
7	2x1FT	E24 WHITE	WIRE 24E MIL-W-16878/4 7/34
6	2	1911	CAP HOUSING 9mm-SS
5	A/R	PAVE-Seal 150	EPOXY BLACK
4	A/R	SILASTIC J RTV	SILICONE RTV GREEN
3	2	1910	HOUSING 8mm-SS
2	8	M39029/58-360	CONTACT PIN 22D
1	2x7FT	TEF 4/C #24	CABLE 4xE24+SHIELD+TEF JACKET 3.430D
ITEM	QTY	PART#	DESCRIPTION

ALL DIMENSIONS AND TOLERANCES APPLY TO FINISHED PART IN MM  
ALLOWABLE TOLERANCES UNLESS SPECIFIED OTHERWISE: NONE +/-13  
.X DECIMAL +/- 2.5 .XX DECIMAL +/- .50 .XXX DECIMAL +/- .100  
ANGLES +/- 1 DEG SURFACE FINISH 3.2 micrometers RMS



DESCRIPTION  
PLUG/CABLE ASY & SEALED RCPT ASY

PART NUMBER  
**1862**

