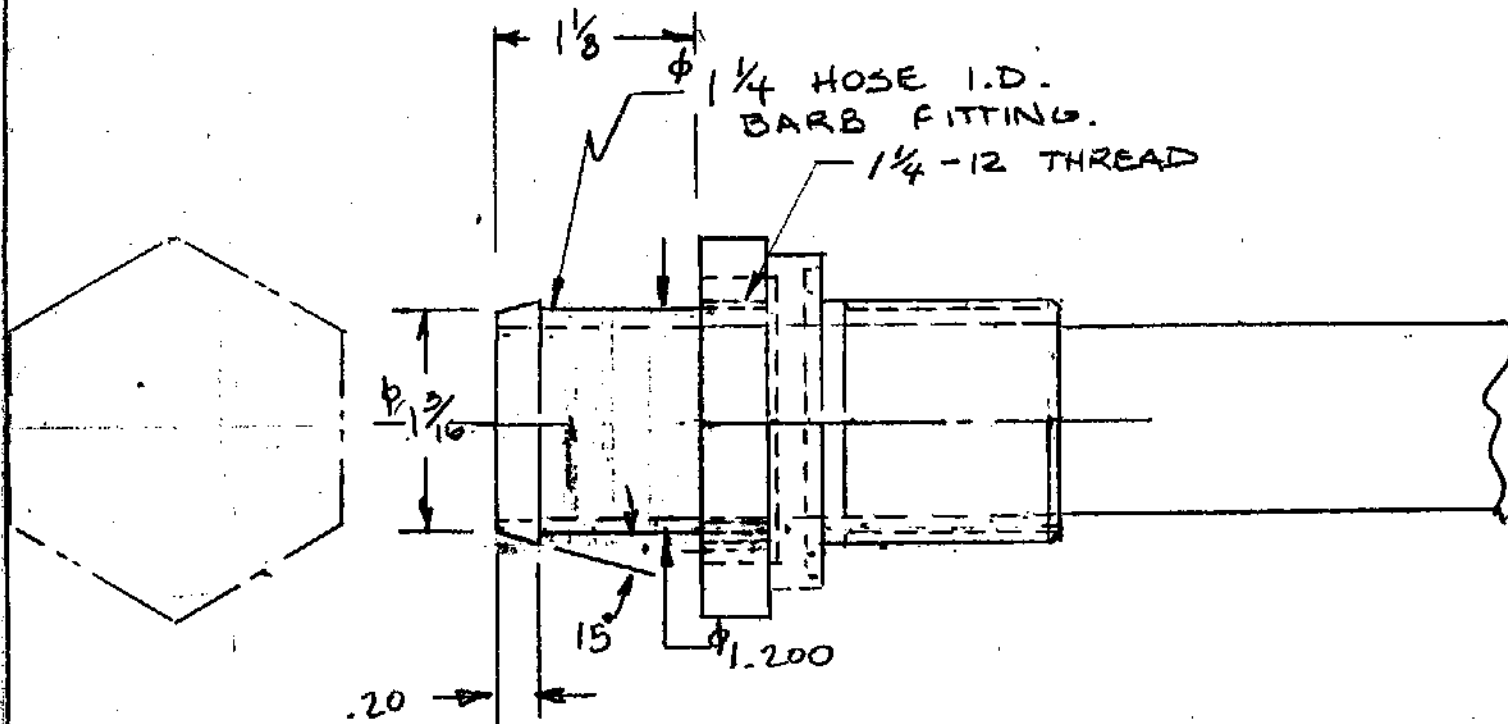


DO NOT SCALE PRINT.


| ISSUE LET. | ALTERATIONS | CHANGE NO. | DATE |
|------------|-------------|------------|------|
|            |             |            |      |
|            |             |            |      |



SHOWN ACTUAL SIZE

|        |
|--------|
| SEAL   |
| FINISH |

ALL DIM. AND TOLERANCES APPLY TO FINISHED PART UNLESS OTHERWISE SPECIFIED.  
ALLOWABLE TOLERANCES UNLESS OTHERWISE SPECIFIED -  
FRACTIONS ± 1/64    DECIMALS ± .005    ANGLES ± 1°

|   |                  |  |  |
|---|------------------|--|--|
|  |                  | PAVE Technology Co.<br>Pressure and Vacuum Electronics<br>Custom Hermetic Connectors |  |
| TITLE<br>VS 18 WITH HOSE FITTING  |                  |  |  |
| MATERIAL<br>STAINLESS ST'L  |                  |  |  |
| DR. BY<br><i>AKL</i>  | APPROVED BY      | DRAWN FROM   |  |
| CH'D BY   | DATE<br>12/10/98 | SCALE<br>1/1   |  |
| PART NUMBER<br>0206   |                  |  |  |