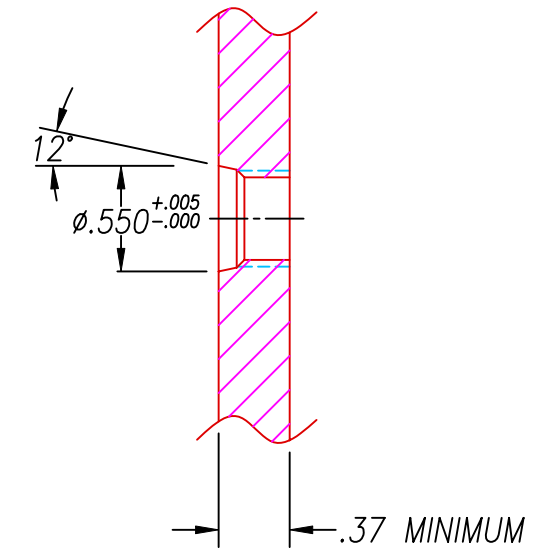


INSTALLATION PORT



ADD'L DIMS PER PARKER O-RING HANDBOOK ORD 5700 PG A5-17

NOTES:

1. LEAK TEST: 1000 PSI, NO BUBBLES 30 SECONDS MINIMUM.
2. HYPOT 630 VDC 500 MΩ 0.01 SEC MINIMUM, WIRE TO WIRE & HOUSING.
3. ALL TESTS ARE PERFORMED AT ROOM TEMPERATURE.
4. THERMAL CYCLE FROM -40°C TO 80°C FOR 2 HOURS HOLD AT TEMPERATURE FOR A MINIMUM OF 2 CYCLES PRIOR TO ALL TESTING.
5. ASSEMBLY 2064-1 SHALL BE LEAK TESTED TO A PRESSURE OF 3500 PSI.
6. WIRES ARE NOT REQUIRED TO BEND SHARPLY AT EPOXY SEAL SURFACE.
7. NO VOIDS LARGER THAN φ.035 ARE ACCEPTABLE.
8. WIRE POSITIONING IS APPROXIMATE & VARIABLE.

2064	6
2064-1	6
2064-2	12
PART #	'X'

8	1	EE24 RED 7STRD	WIRE 24EE MIL-W-16878/5 .014 7/#32
7	1	EE24 GRN 7STRD	WIRE 24EE MIL-W-16878/5 .014 7/#32
6	1	EE24 BLK 7STR	WIRE 24EE MIL-W-16878/5 .014 7/#32
5	1	EE24 WHT 7STRD	WIRE 24EE MIL-W-16878/5 .014 7/#32
4	1	-905 V0835-75	O-RING 3-905 V835-75 VITON LOW TEMP
3	A/R	PARKER O-LUBE	LUBRICANT O-RING BARIUM-BASED
2	A/R	PAVE-Seal 150	EPOXY BLACK
1	1	2074	HOUSING S08-SS THREAD PRESSURE
ITEM	QTY	PART#	DESCRIPTION

ALL DIMENSIONS AND TOLERANCES APPLY TO FINISHED PART IN INCHES
 ALLOWABLE TOLERANCES UNLESS SPECIFIED OTHERWISE: NONE +/-0.5
 .X DECIMAL +/- 0.1 .XX DECIMAL +/- 0.02 .XXX DECIMAL +/-0.005
 ANGLES +/- 1 DEG SURFACE FINISH 128 microinch RMS

2751 Thunderhawk Court
 Dayton, Ohio 45414-3445
 U.S.A.
 (937)890-1100
 fax (937)890-5165
 www.pavetechnologyco.com

DESCRIPTION PAVE-Seal Cable Harnesses
 S08-SS-150-4-TEE24-X-X

PART NUMBER
 2064

REVISION LEVEL
 D
 PROJECTION