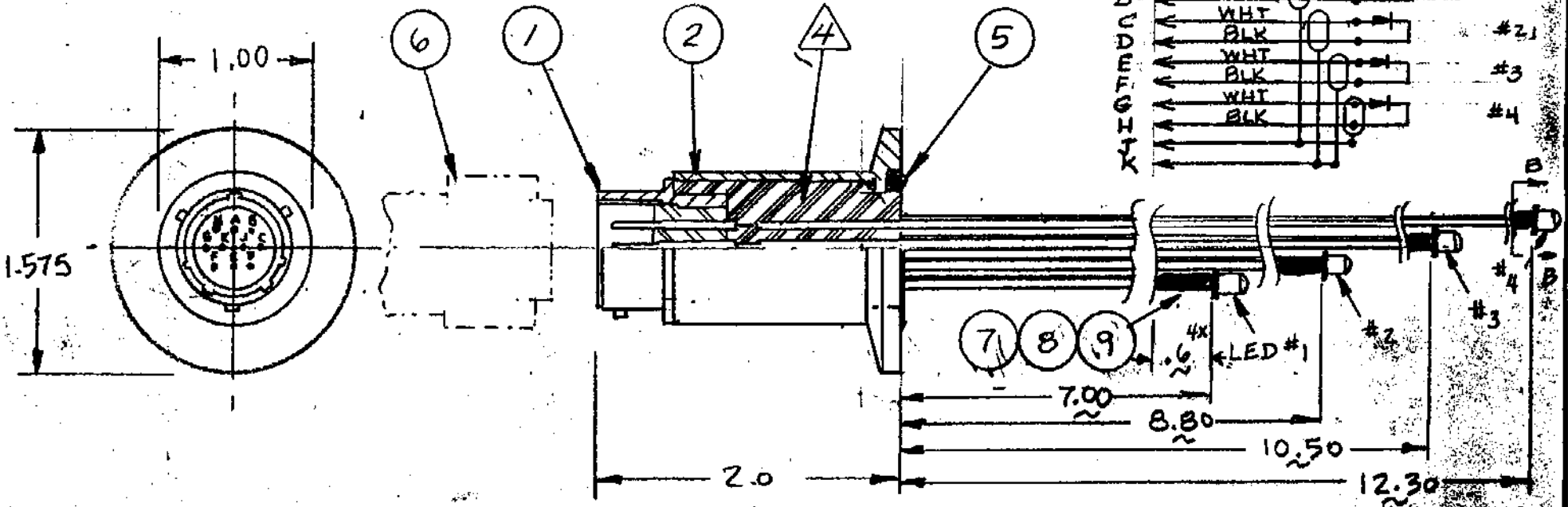


DO NOT SCALE PRINT

ISSUE LET.	ALTERATIONS	CHANGE NO.	DATE



4. APPLY 1.5V ACROSS DIODES  
CHECK LIGHT OUTPUT
  3. MATE TO KWIK FLANGE  
He LEAK <math>5 \times 10^{-9}</math> cc/sec  
AT 1 ATMOSPHERE
  2. DIELECTRIC - TEST  
630VDC 500 M.S.  
PRIOR TO ADDING LED'S.
  1. ELECTRICAL -  
CONTINUITY 1 Ω +  
NOMINAL WIRE RESISTANCE
- NOTES:

SEAL  
PAVE 150

FINISH  
N/A

ITEM	QTY	PART NO.	DESCRIPTION
9	8	AMP # 321024	BUTT SPLICE #26-22
8	4	GE # IN 6266 ALPHA	LED 1.7V MAX
7	4	FIT 500-12	TEFLON SHRINK TUBING .15 I.D.
6	REF	—	STRAIGHT PLUG WITH S/R MS3476 L12-10S WITH S/R
5	1	—	O-RING, VITON -211
4	A/R	SEE SEAL	EPOXY, PAVE 150
3	40"	BELDEN 8331B	SHIELDED TEFLON CABLE 2 COND 24 AWG
2	1	NOREAL NW-25FL	KWIK FLANGE HOUSING
1	1	0272	MS3112E12-10P RECEPTACLE



VIEW B-B  
SCALE 2/1



PAVE Technology Co.  
Pressure and Vacuum Electronics  
Custom Hermetic Connectors

TITLE PAVE MATE II / KWIK-FLANGE 10 PIN RECEPTACLE

MATERIAL NOTED

DR. BY *HLB* APPROVED BY *WLL* DRAWN FROM BALZERS  
CHD BY DATE 3 MAR '70 SCALE 1/1

PART NUMBER 0270

ALL DIM. AND TOLERANCES APPLY TO FINISHED PART UNLESS OTHERWISE SPECIFIED.  
ALLOWABLE TOLERANCES UNLESS OTHERWISE SPECIFIED:  
.X ±.05 .XXX ±.005 ANGLES ± 1°