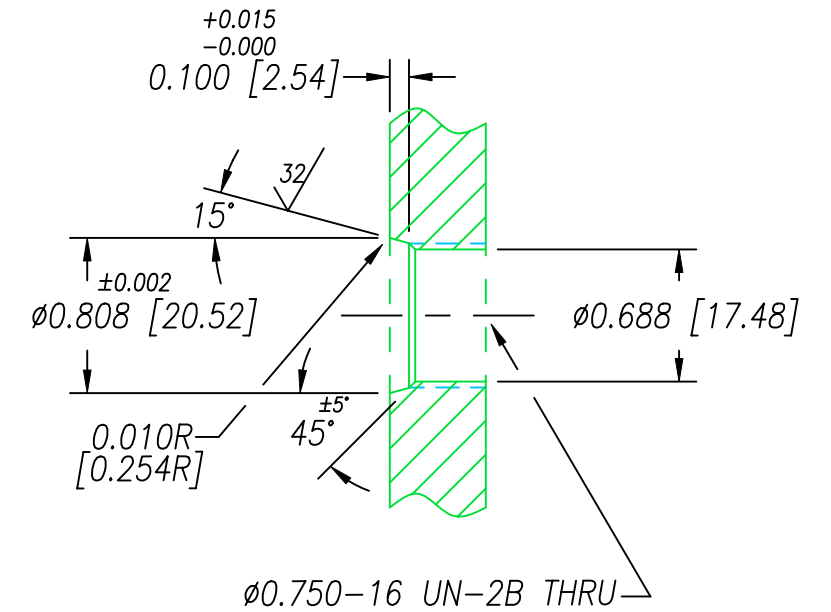
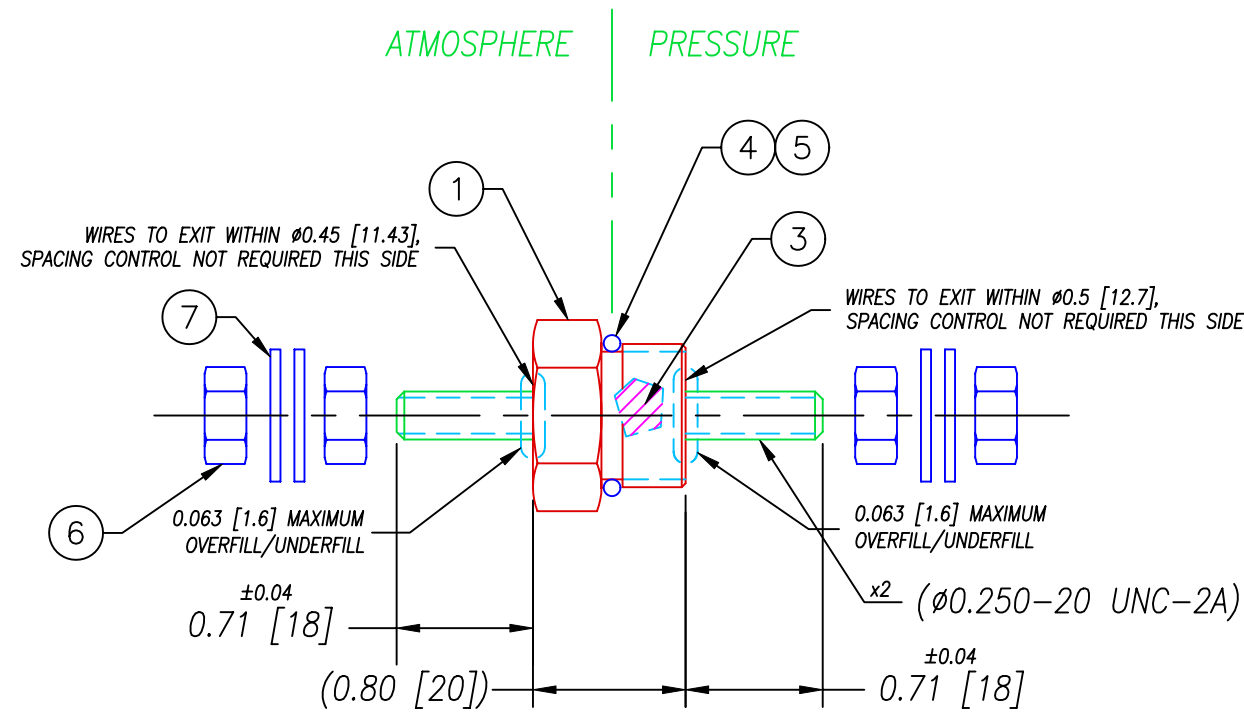
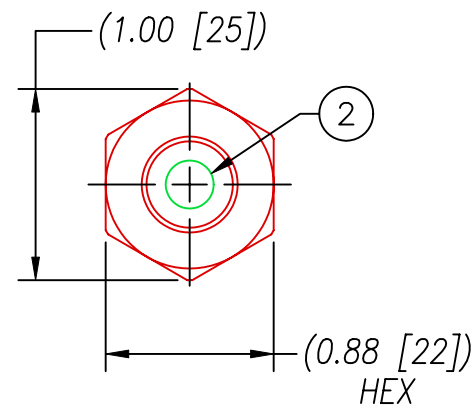


INSTALLATION/  
LEAK TEST PORT



NOTES:

1. LEAK TEST: 300 PSI, NO BUBBLES 5 SECONDS MINIMUM.
2. HYPOT 630 VDC 500 MΩ 0.01 SEC MINIMUM, COPPER ROD TO HOUSING.
3. ALL TESTS ARE PERFORMED AT ROOM TEMPERATURE.
4. PERCENTAGE OF PARTS TESTED WILL BE 100% (MAY BE A LESSER PERCENTAGE FOR LARGE PRODUCTION QUANTITIES, UNLESS OTHERWISE NOTED OR REQUIRED).
5. REF-OPERATING TEMPERATURE -40°C TO 140°C.

7	4	BRASS WASH 1/4"	WASHER BRASS ID 0.260 OD 0.6875 THK 0.051
6	4	BRASS NUTS 1/4"	NUT BRASS WAF 7/16 THK 7/32
5	A/R	PARKER O-LUBE	LUBRICANT O-RING BARIUM BASED
4	1	-908 BUNA	O-RING -908 BUNA 75
3	A/R	PAVE-Seal 150	EPOXY BLACK
2	1	1/4-20 COPPER	ROD COPPER C11000 1/4-20 UNC THREADED
1	1	2147	HOUSING S012-SS
ITEM	QTY	PART#	DESCRIPTION

ALL DIMENSIONS AND TOLERANCES APPLY TO FINISHED PART IN INCHES  
ALLOWABLE TOLERANCES UNLESS SPECIFIED OTHERWISE: NONE +/-0.5  
.X DECIMAL +/- 0.1 .XX DECIMAL +/- 0.02 .XXX DECIMAL +/-0.005  
ANGLES +/- 1 DEG SURFACE FINISH 128 microinch RMS



DESCRIPTION PAVE-Seal® Cable Harnesses  
S012-SS-150-.25CU-.7-.7

PART NUMBER  
2910

REVISION LEVEL A  
PROJECTION