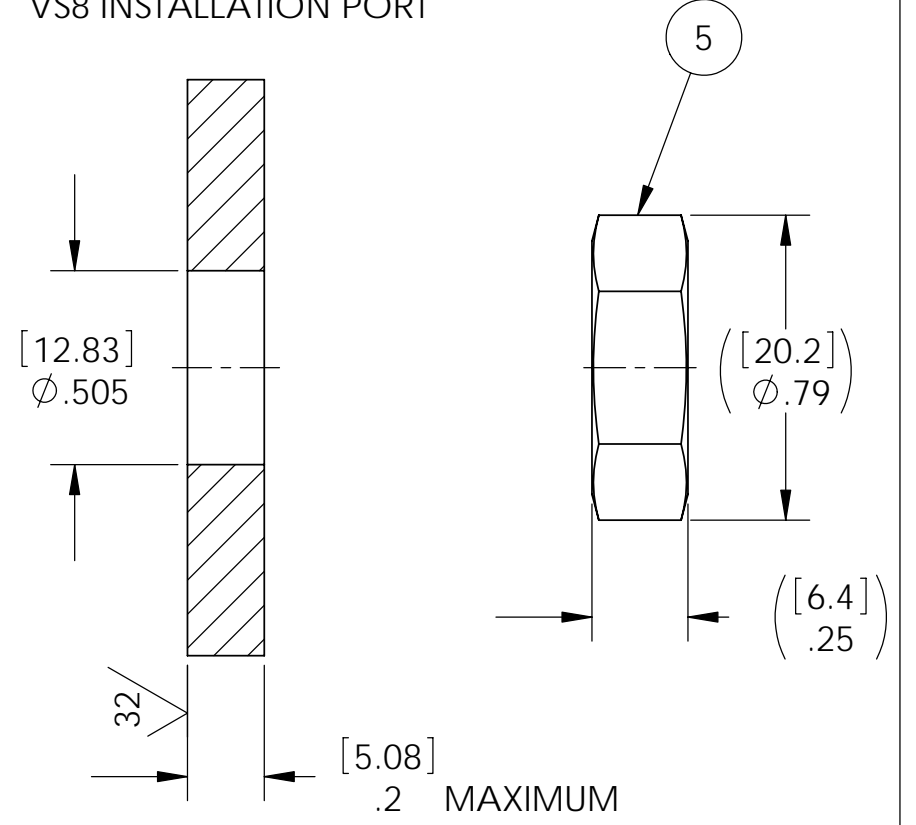


VS8 INSTALLATION PORT



NOTES:

1. LEAK TEST: 750 PSI, NO BUBBLES 1 MINUTE MINIMUM.
2. HYPOT 630 VDC 500 MEGOHMS MINIMUM 0.01 SECOND MINIMUM CENTER CONDUCTOR TO MICRODOT SHELL TO HOUSING WITH MATING CONNECTORS.
3. ALL TESTS ARE PERFORMED AT ROOM TEMPERATURE.
4. ALL PARTS MUST PASS ALL TESTS.
5. VOIDS LARGER THAN  $\phi .035$  [.89] ARE NOT ACCEPTABLE.
6. REF-OPERATING TEMPERATURE RANGE  $-37^{\circ}\text{C}$  TO  $107^{\circ}\text{C}$ .
7. REF-TEMPERATURE RANGE OF ITEM 4 IS  $-37^{\circ}\text{C}$  TO  $107^{\circ}\text{C}$ .
8. DIMENSIONS ARE INCHES [millimeters].

5	1	0894	NUT VS8-SS
4	1	-112 NEOPRENE	O-RING -112 NEOPRENE 75
3	A/R	PAVE-Seal 150	EPOXY BLACK
2	2	131-0138-0002	RECEPTACLE 10-32 MICRODOT
1	1	0892	HOUSING VS8-SS
ITEM	QTY	PART NUMBER	DESCRIPTION

ALL DIMENSIONS AND TOLERANCES APPLY TO FINISHED PART IN INCHES.  
 ALLOWABLE TOLERANCES UNLESS SPECIFIED OTHERWISE: NONE  $\pm 0.5$   
 X.X DECIMAL  $\pm 0.1$  X.XX DECIMAL  $\pm 0.02$  X.XXX DECIMAL  $\pm 0.005$   
 ANGLES  $\pm 1$  DEGREE SURFACE FINISH 128 microinch RMS

**PAVE technology co.**  
 2751 Thunderhawk Court  
 Dayton, OH 45414-3445  
 U.S.A.  
 tel (937) 890-1100  
 fax (937) 8905165  
 www.pavetechnologyco.com

DESCRIPTION  
**VS8-SS-150-1-10-32 MICRODOT**

PART NUMBER  
**3349**

REVISION LEVEL  
**D**

PROJECTION