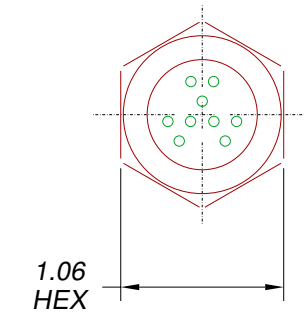
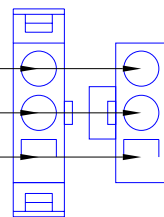


VIEW A-A



WIRE COLORS	RED	YELLOW	BLUE
	RED/BLK	YEL/BLK	BLU/BLK
	WHT/RED	WHT/YEL	WHT/BLU
CONNECTOR:	1 & 4	2 & 5	3 & 6



NOTES:

1. LEAK TEST: 80 PSI, NO BUBBLES 1.5 MINUTES MINIMUM.
2. HYPOT 630 VDC 500 MW .01 SEC MINIMUM, WIRE TO WIRE & HOUSING.
3. ALL TESTS ARE PERFORMED AT ROOM TEMPERATURE.

17	9	MOL#02-09-2103	TERMINAL #14-20 PIN BRS TIN LOOSE
16	9	MOL#02-09-1104	TERMINAL #14-20 SOC BRS TIN LOOSE
15	3	MOL#19-09-2038	PLUG PNL MNT V-2 3 CKT
14	3	MOL#19-09-1039	RCPT V-2 3 CKT
13	9"	FIT-221-3/8	TUBING SHRINK 3/8 IRR POLY MIL-I-53053/5B
12	57"	FIT-221-1/4	TUBING SHRINK 1/4 IRR POLY MIL-I-53053/5B
11	A/R	PAVE-Seal 150	EPOXY BLACK
10	1	.75X.5 RB-SS	HOUSING PT12-SS
9	36"	E18 BLU	WIRE 18E MIL-W-16878/4 7/#26
8	36"	E18 BLUE/BLK	WIRE 18E MIL-W-16878/4 7/#26
7	36"	E18 WHT/BLU	WIRE 18E MIL-W-16878/4 7/#26
6	36"	E18 YELLOW	WIRE 18E MIL-W-16878/4 7/#26
5	36"	E18 YEL/BLK	WIRE 18E MIL-W-16878/4 7/#26
4	36"	E18 WHT/YEL	WIRE 18E MIL-W-16878/4 7/#26
3	36"	E18 RED	WIRE 18E MIL-W-16878/4 7/#26
2	36"	E18 RED/BLK	WIRE 18E MIL-W-16878/4 7/#26
1	36"	E18 WHT/RED	WIRE 18E MIL-W-16878/4 7/#26
ITEM	QTY	PART#	DESCRIPTION

ALL DIMENSIONS AND TOLERANCES APPLY TO FINISHED PART IN INCHES
 ALLOWABLE TOLERANCES UNLESS SPECIFIED OTHERWISE: NONE +/- .5
 .X DECIMAL +/- .1 .XX DECIMAL +/- .02 .XXX DECIMAL +/- .005
 ANGLES +/- 1 DEG SURFACE FINISH 128 microinch RMS



DESCRIPTION PAVE-Seal® Cable Harnesses
PT12-SS-150-9-TE18-12-23

PART NUMBER	PROJECTION
2165	