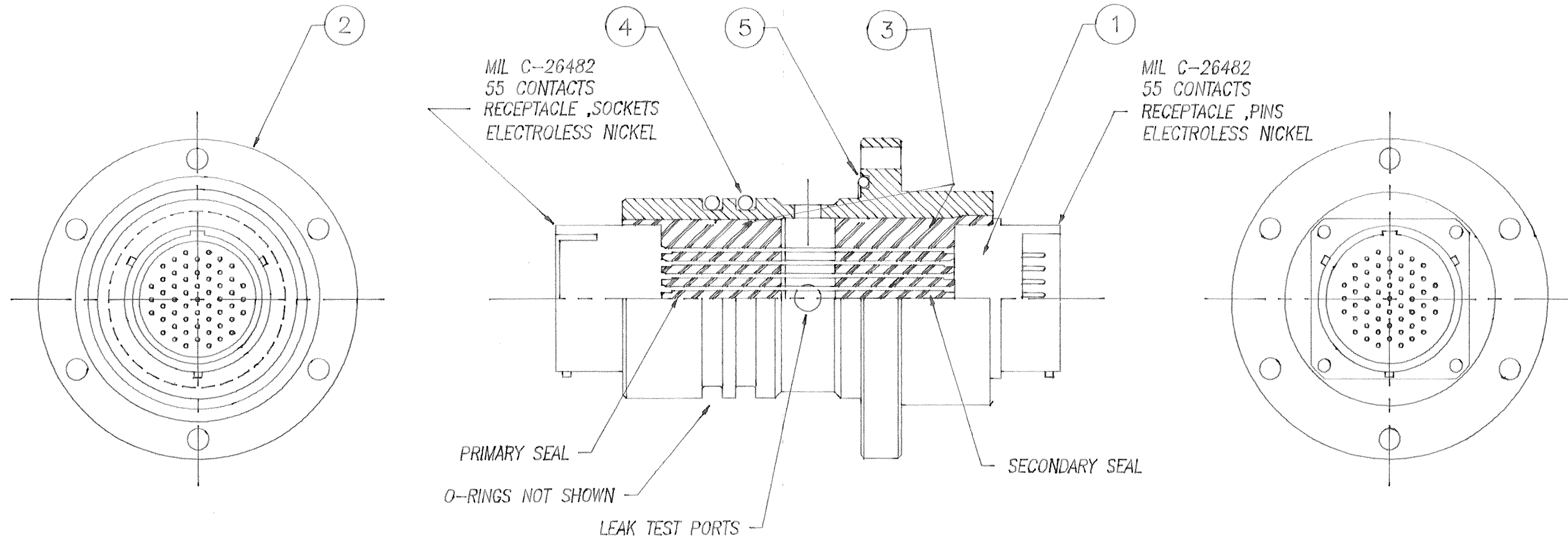


PROPRIETARY PROPERTY OF PAVE  
Technology Co. . UNAUTHORIZED USE  
OR REPRODUCTION IS PROHIBITED.

ISSUE LET.	ALTERATIONS	CHANGED BY	DATE



NOTES:

- PIN TO SOCKET CONTINUITY .5 OHMS MAX
- CONTACT TO CONTACT ISOLATION 500 MEGOHMS MIN AT 630 VDC
- CONTACT TO HOUSING ISOLATION 500 MEGOHMS MIN AT 630 VDC
- HELIUM LEAK RATE NOT TO EXCEED  $1 \times 10^{-8}$  STD. CC/SEC (AIR EQUIVALENT) THRU : 1. PRIMARY SEAL TO TEST PORT  
2. SECONDARY SEAL TO TEST PORT  
USING PAVE 0365 LEAK TEST FIXTURE.

ITEM#	QTY	PART NUMBER	DESCRIPTION & SUPPLIER
5	1	2-137 VITON	O-RING VITON 75 DURO
4	2	2-223 VITON	O-RING VITON 75 DURO
3	A/R	PAVESEAL 100	EPOXY
2	1	0360	D.C. HOUSING
1	1	0363	D.C. CONNECTOR SUBASSY



PAVE Technology Co.  
Dayton, Ohio USA  
Pressure and Vacuum Electronics  
Custom Hermetic Connectors

TITLE D. C. PAVEMATE ASSY

MATERIAL NOTED

DR. BY W. L. WOOD APPROVED BY [Signature] DRAWN FROM MOUND RES  
CHKD BY [Signature] DATE 20 JUN '91 SCALE 1=1

PART NUMBER 0359

FINISH ALL DIMENSIONS AND TOLERANCES APPLY TO FINISHED PART.  
ALLOWABLE TOLERANCES UNLESS SPECIFIED OTHERWISE:  
.X DECIMAL +/- .1 .XX DECIMAL +/- .02 .XXX DECIMAL +/- .005  
ANGLES +/- 1 DEG SURFACE FINISH 128 microinch RMS