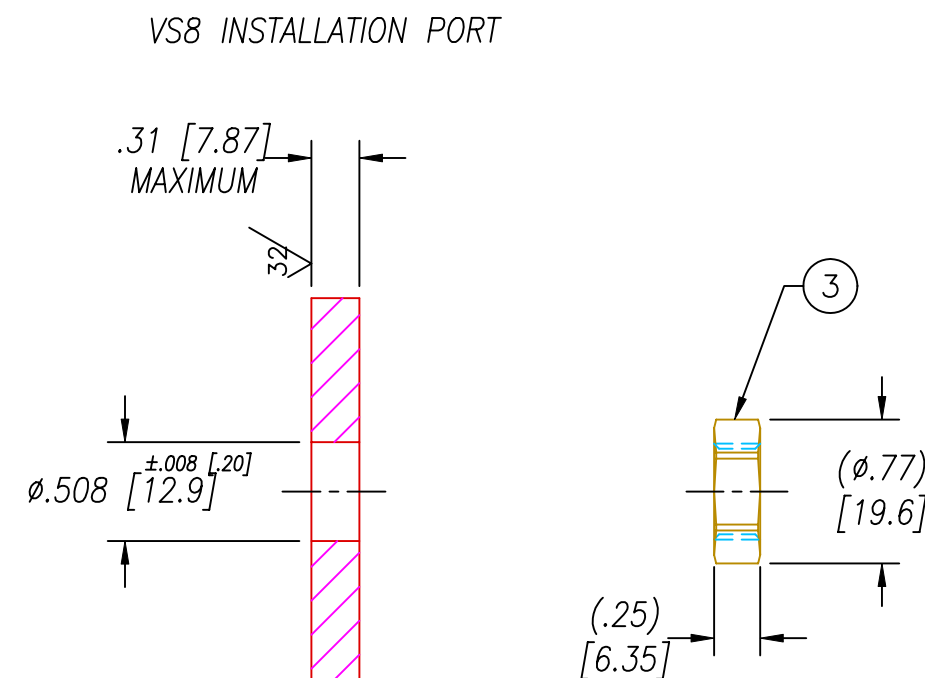
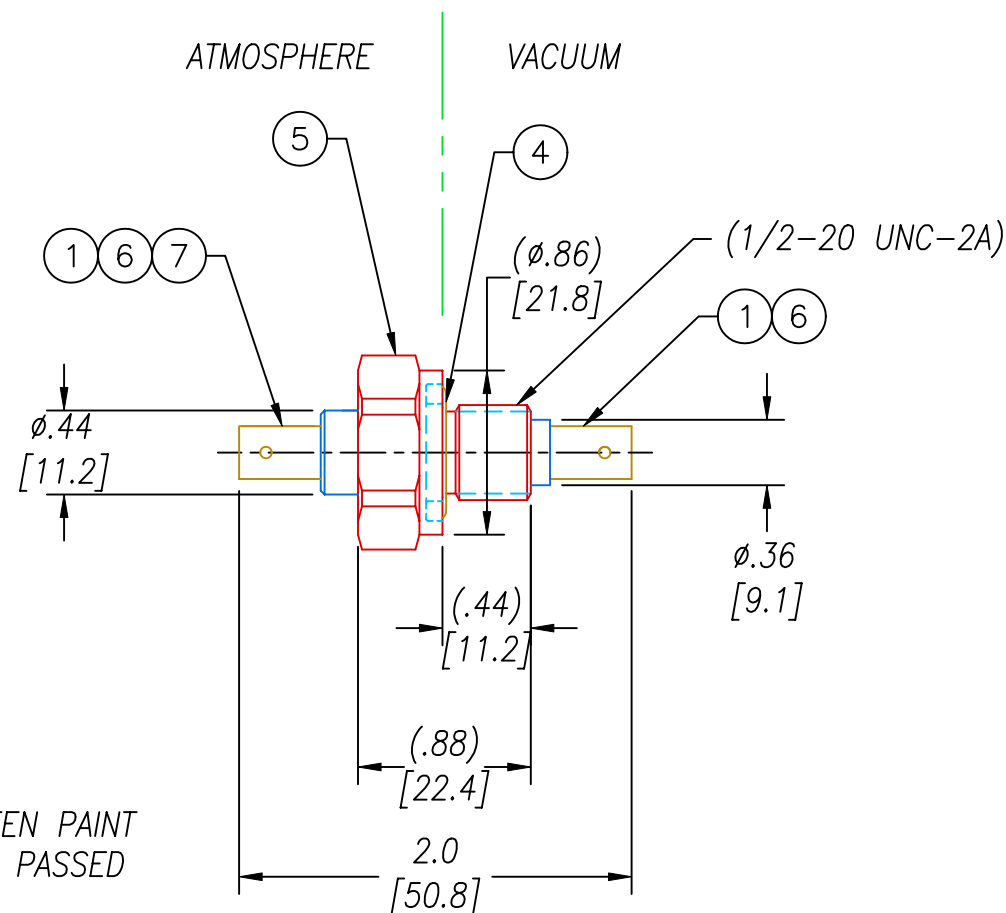
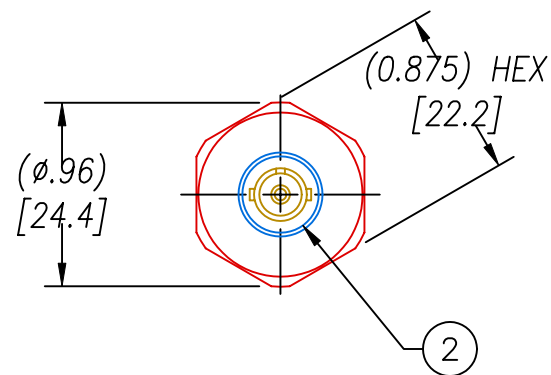


PAVE#	ITEM 4	ITEM 4 DESCRIPTION	TEMPERATURE RANGE
1271	-112 VITON	O-RING -112 VITON 75	-20°C TO 125°C
1271-1	-112 EPDM	O-RING -112 EPDM 80	-58°C TO 125°C



NOTES:

- HE LEAK TEST @1 ATM. 1×10^{-6} CC/S OR LESS. A GREEN PAINT DOT ON THE ATMOSPHERE SIDE INDICATES THE PART HAS PASSED THE TEST.
- OPTICAL CONTINUITY TEST <2.0 dB ATTENUATION @ 850nm SOURCE TO METER.
- ALL TESTS ARE PERFORMED AT ROOM TEMPERATURE.
- ALL PARTS MUST PASS ALL TESTS.
- REF HIGH PRESSURE APPLICATION: 6,000 PSI MAX HEX SIDE, 3,000 PSI MAX THREAD SIDE.
- REF OPERATING TEMPERATURE RANGE SEE TABLE.
- DIMENSIONS ARE INCHES [millimeters].
- ALCOHOL OR FOMBLIN YVAC 3 MAY BE USED TO LUBRICATE O-RINGS FOR VACUUM HELIUM TESTING.
- COSMETIC SURFACE VOIDS NOT ON O-RING SEALING SURFACES ARE ACCEPTABLE BASED ON THE SEAL'S DIAMETER:
 <= .5 [12.7] SEAL DIAMETER: ϕ .035 [.89] MAX ALLOWED VOID SIZE
 > .5 [12.7] SEAL DIAMETER: ϕ .060 [1.5] MAX ALLOWED VOID SIZE
- PAVE-SEAL CAN BE A BI-DIRECTIONAL HERMETIC SEAL FOR VACUUM AND MOST PRESSURES. FOR PRESSURES ABOVE 150 PSI (10 BAR), CHECK WITH SALES ENGINEERING.

7	1	FOC 62.5/125	FIBER OPTICAL 62.5/125U MULTIMODE
6	2	1274	128 MICRON FERRULE
5	1	0892	HOUSING VS8-SS
4	1	SEE TABLE	SEE TABLE
3	1	0894	NUT VS8-SS
2	A/R	PAVE-Seal 150	EPOXY BLACK
1	2	1272	128 MICRON ST ADAPTOR
ITEM	QTY	PART NUMBER	DESCRIPTION

ALL DIMENSIONS AND TOLERANCES APPLY TO FINISHED PART IN INCHES
 ALLOWABLE TOLERANCES UNLESS SPECIFIED OTHERWISE: NONE +/-0.5
 .X DECIMAL +/- 0.1 .XX DECIMAL +/- 0.02 .XXX DECIMAL +/-0.005
 ANGLES +/- 1 DEG SURFACE FINISH 128 microinch RMS



DESCRIPTION PAVE-Opti Seal™ Cable Harnesses
 VS8-SS-150-1-62.5/125μ-ST-ST

PART NUMBER *SEE TABLE
 1271*

REVISION LEVEL H
 PROJECTION