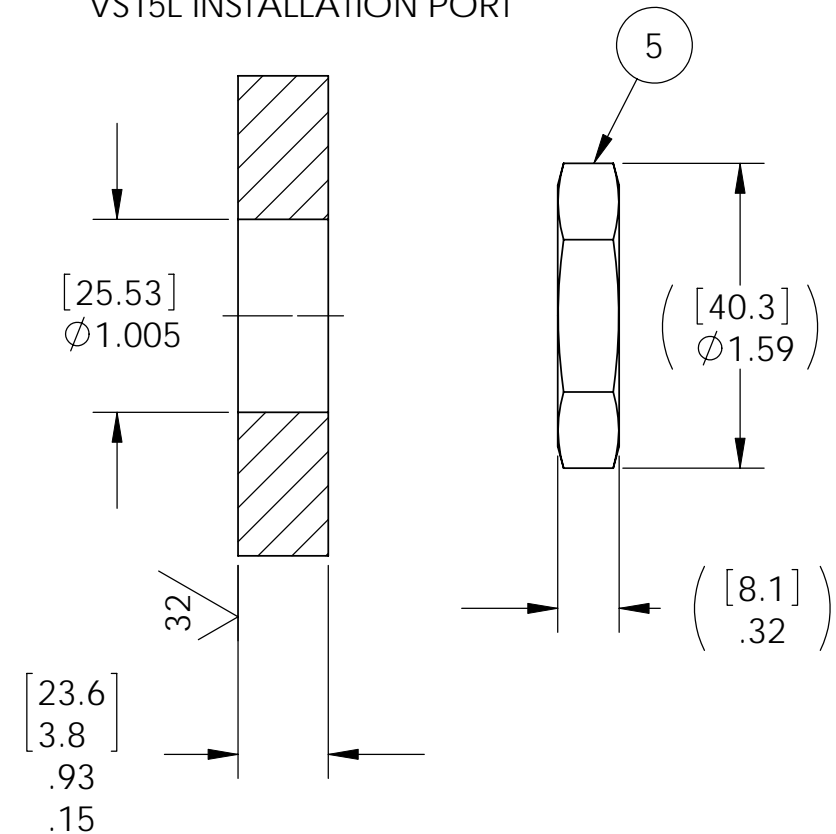


VS15L INSTALLATION PORT



NOTES:

1. HE LEAK TEST @1 ATM, 10X10⁻⁷ CC/SEC OR LESS.
2. HYPOT 630 VDC 500 MEGOHMS MINIMUM 0.01 SECOND MINIMUM, CENTER CONDUCTOR TO SHELL & HOUSING WITH MATING CONNECTORS.
3. CONTINUITY TEST CENTER CONDUCTOR TO CENTER CONDUCTOR & SHELL TO SHELL <0.5 Ω EACH.
4. 1518: AC HYPOT 5000 VAC, 1 SECOND MINIMUM, CENTER CONDUCTOR TO SHELL & HOUSING AND SHELL TO HOUSING, 5 mA MAXIMUM LEAKAGE. 1518-1: DC HYPOT 7000 VDC, 1 MINUTE MINIMUM, CENTER CONDUCTOR TO SHELL & HOUSING AND SHELL TO HOUSING, 1 μA MAXIMUM LEAKAGE.
5. ALL TESTS ARE PERFORMED AT ROOM TEMPERATURE.
6. ALL PARTS MUST PASS ALL TESTS.
7. DIMENSIONS ARE INCHES [millimeters].
8. VOIDS LARGER THAN Ø0.035 [0.89] ARE NOT ACCEPTABLE.
9. REF-OPERATING TEMPERATURE -20 °C TO 125 °C.
10. PAVE-SEAL CAN BE A BI-DIRECTIONAL HERMETIC SEAL FOR VACUUM AND MOST PRESSURES. FOR PRESSURES ABOVE 150 PSI (10 BAR), CHECK WITH SALES ENGINEERING.
11. THESE PARTS ARE CLEANED IN A TRICHLOROETHYLENE VAPOR, THEN PACKAGED IN A LAMINAR FLOW HOOD PROVIDING AN ISO CLASS 5 (CLASS 100) ENVIRONMENT IN THE WORK AREA.
12. ALCOHOL OR FOMBLIN YVAC 3 MAY BE USED TO LUBE O-RINGS FOR VACUUM HELIUM LEAK TESTING.

5	1	0183	NUT VS15-SS
4	1	-215 VITON	O-RING -215 VITON 75
3	2	SHV AMP#51494-2	RCPT SHV ROHS COMPLIANT
2	A/R	PAVE-Seal 150HV	EPOXY BLUE HV
1	1	0161	HOUSING VS15L-SS
ITEM	QTY	PART NUMBER	DESCRIPTION

PAVE technology co.
 2751 Thunderhawk Court
 Dayton, OH 45414-3445
 U.S.A.
 tel (937) 890-1100
 fax (937) 8905165
 www.pavetechnologyco.com

DESCRIPTION
 VS15L-SS-150HV-1-SHV-SHV

PART NUMBER

1518

MATERIAL NOTED

REVISION LEVEL H

PROJECTION

ALL DIMENSIONS AND TOLERANCES APPLY TO FINISHED PART IN INCHES.
 ALLOWABLE TOLERANCES UNLESS SPECIFIED OTHERWISE: NONE ±0.5
 X.X DECIMAL ±0.1 X.XX DECIMAL ±0.02 X.XXX DECIMAL ±0.005
 ANGLES ±1 DEGREE SURFACE FINISH 128 microinch RMS