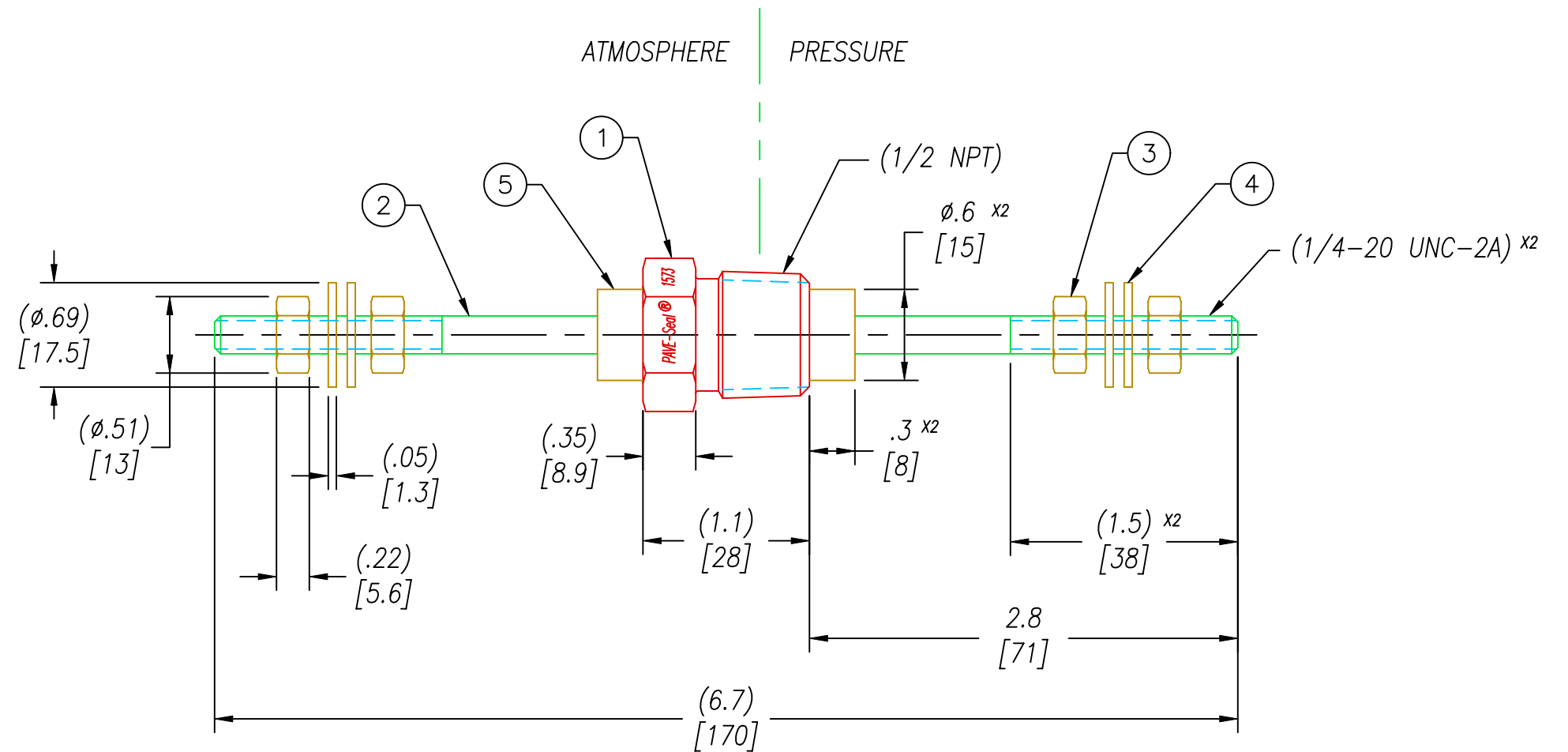
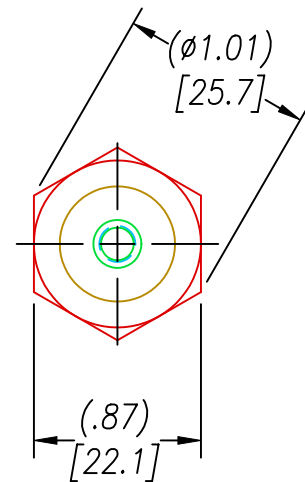


|        |                        |               |                      |                   |         |
|--------|------------------------|---------------|----------------------|-------------------|---------|
| 1573-2 | PT8-SS-200-1-.25CU-3-3 | PAVE-Seal 200 | EPOXY BLUE HIGH TEMP | -20°C TO 150°C    | 2000    |
| 1573-1 | PT8-SS-200-1-.25CU-3-3 | PAVE-Seal 200 | EPOXY BLUE HIGH TEMP | -20°C TO 150°C    | 750     |
| 1573   | PT8-SS-150-1-.25CU-3-3 | PAVE-Seal 150 | EPOXY BLACK          | -20°C TO 125°C    | 750     |
| PAVE#  | PAVE DESCRIPTION       | ITEM 5 PART#  | ITEM 5 DESCRIPTION   | TEMPERATURE RANGE | "X" PSI |



NOTES:

1. LEAK TEST: "X" PSI, NO BUBBLES 30 SECONDS MINIMUM. A GREEN PAINT DOT INDICATES THE PART HAS PASSED THE TEST.
2. HIPOT 1000 VDC 200 MEGOHMS MINIMUM 0.01 SEC MINIMUM, ROD TO HOUSING.
3. ALL TESTS ARE PERFORMED AT ROOM TEMPERATURE.
4. ALL PARTS MUST PASS ALL TESTS.
5. COSMETIC SURFACE VOIDS LARGER THAN  $\phi.035$  [0.89] ARE NOT ACCEPTABLE.
6. REF-OPERATING TEMPERATURE RANGE: SEE TABLE
7. DIMENSIONS ARE INCHES [millimeters].
8. PAVE-SEAL CAN BE A BI-DIRECTIONAL HERMETIC SEAL FOR VACUUM AND MOST PRESSURES. FOR PRESSURES ABOVE 150 PSI (10 BAR), CHECK WITH SALES ENGINEERING.

|      |     |                 |                      |
|------|-----|-----------------|----------------------|
| 5    | A/R | SEE TABLE       | EPOXY (SEE TABLE)    |
| 4    | 4   | BRASS WASH 1/4" | WASHER 1/4" BRASS    |
| 3    | 4   | BRASS NUTS 1/4" | NUT 1/4-20 UNF BRASS |
| 2    | 1   | 0221-1          | ROD COPPER .25       |
| 1    | 1   | 0346            | HOUSING PT8-SS       |
| ITEM | QTY | PART#           | DESCRIPTION          |

2751 Thunderhawk Court  
Dayton, Ohio 45414-3445  
U.S.A.  
(937)890-1100  
fax (937)890-5165  
www.pavetechnologyco.com

**PAVE technology co.**

DESCRIPTION PAVE-Seal@ Cable Harnesses

SEE TABLE

PART NUMBER \*SEE TABLE

1573\*

REVISION LEVEL E

PROJECTION

ALL DIMENSIONS AND TOLERANCES APPLY TO FINISHED PART IN INCHES  
ALLOWABLE TOLERANCES UNLESS SPECIFIED OTHERWISE: NONE +/-0.5  
.X DECIMAL +/- 0.1 .XX DECIMAL +/- 0.02 .XXX DECIMAL +/-0.005  
ANGLES +/- 1 DEG SURFACE FINISH 128 microinch RMS