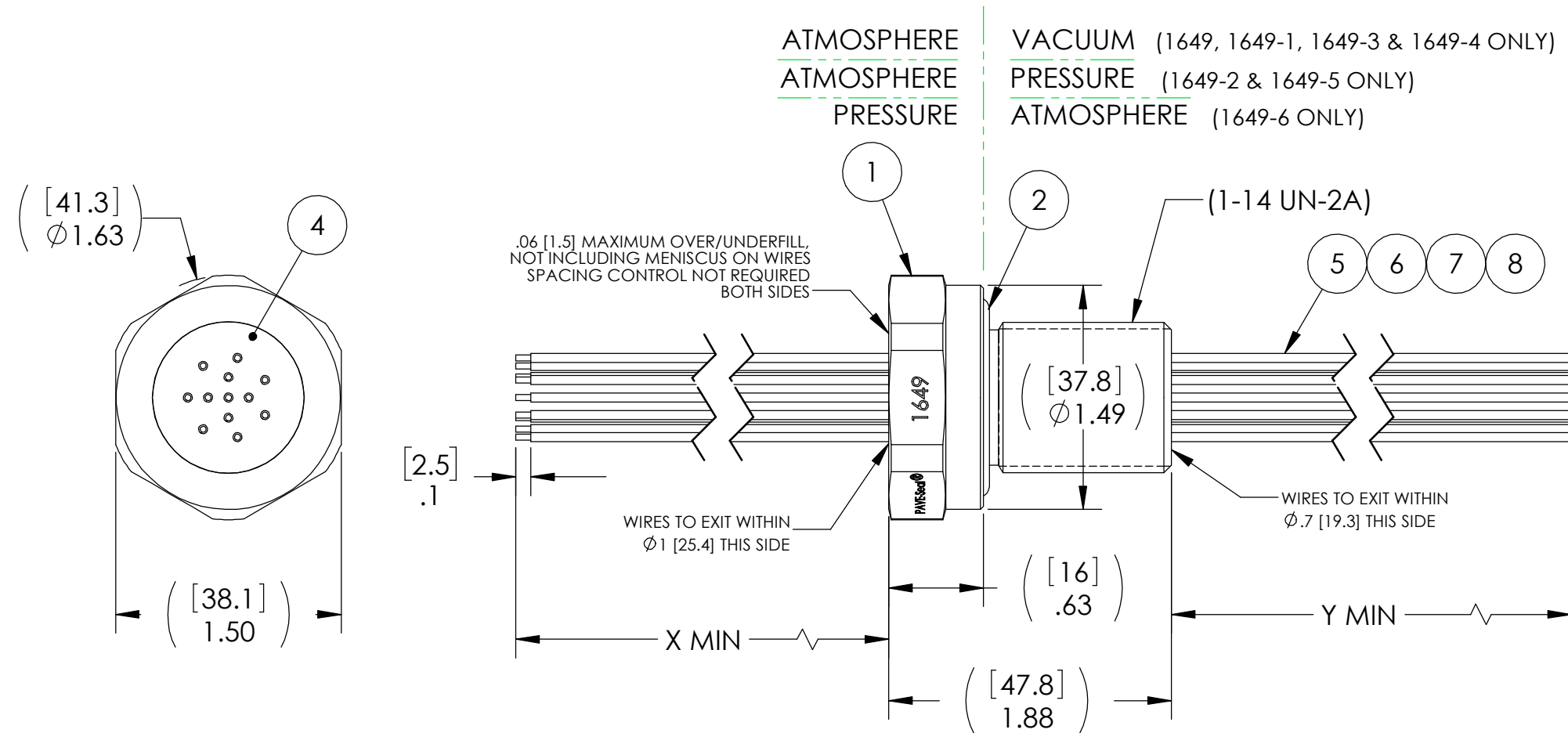
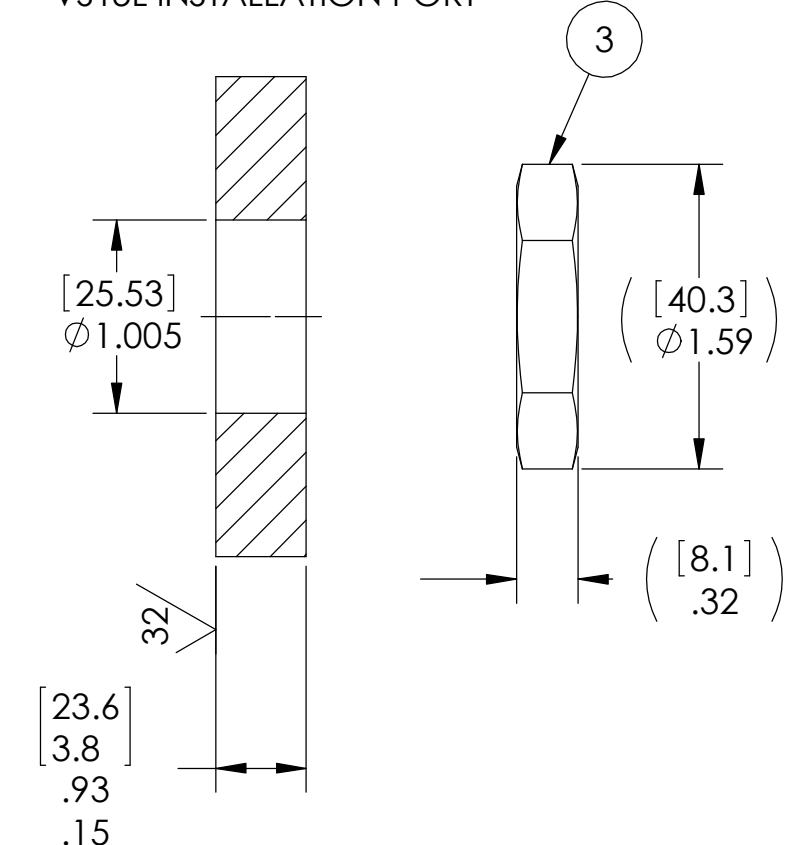


1649-6	48 [1219.2]	48 [1219.2]	VS15L-SS-200-12-TZ20-48-48	-215 VITON	O-RING -215 VITON 75	PAVE-Seal 150	-20°C TO 125°C
1649-5	48 [1219.2]	48 [1219.2]	VS15L-SS-200-12-TZ20-48-48	-215 VITON LT	O-RING -215 VITON LOW-TEMP 75	PAVE-Seal 200	-40°C TO 150°C
1649-4	48 [1219.2]	236.2 [6000]	VS15L-SS-150-12-TZ20-48-236	-215 VITON	O-RING -215 VITON 75	PAVE-Seal 150	-20°C TO 125°C
1649-3	393.7 [10000]	393.7 [10000]	VS15L-SS-150-12-TZ20-10-10m	-215 VITON	O-RING -215 VITON 75	PAVE-Seal 150	-20°C TO 125°C
1649-2	48 [1219.2]	48 [1219.2]	VS15L-SS-150-12-TZ20-48-48	-215 VITON	O-RING -215 VITON 75	PAVE-Seal 150	-20°C TO 125°C
1649-1	196.85 [5000]	196.85 [5000]	VS15L-SS-150-12-TZ20-5-5m	-215 VITON	O-RING -215 VITON 75	PAVE-Seal 150	-20°C TO 125°C
1649	48 [1219.2]	48 [1219.2]	VS15L-SS-150-12-TZ20-48-48	-215 VITON	O-RING -215 VITON 75	PAVE-Seal 150	-20°C TO 125°C
<b>PAVE#</b>	<b>X</b>	<b>Y</b>	<b>PAVE DESCRIPTION</b>	<b>ITEM 2</b>	<b>ITEM 2 DESCRIPTION</b>	<b>ITEM 4</b>	<b>TEMPERATURE RANGE</b>



VS15L INSTALLATION PORT



NOTES:

- LEAK TESTING, A GREEN PAINT DOT INDICATES THE PART HAS PASSED THE TEST:  
1649, 1649-1, 1649-3 & 1649-4 ONLY: HE LEAK TEST @ 1 ATM. 1X10<sup>-7</sup> CC/SEC OR LESS.  
1649-2 & 1649-5 ONLY: LEAK TEST 1000 PSI, NO N2 BUBBLES 30 SECONDS MINIMUM.  
1649-6 ONLY: LEAK TEST 2175 PSI, NO N2 BUBBLES 10 SECONDS MINIMUM
- HYPOT 630 VDC 500 MEGOHMS MINIMUM 0.01 SECOND MINIMUM WIRE TO WIRE AND HOUSING.
- ALCOHOL OR FOMBLIN YVAC 3 MAY BE USED TO LUBRICATE O-RINGS FOR VACUUM HELIUM LEAK TESTING.
- ALL TESTS ARE PERFORMED AT ROOM TEMPERATURE.
- ALL PARTS MUST PASS ALL TESTS.
- WIRE POSITIONING IS APPROXIMATE & VARIABLE.
- WIRES ARE NOT REQUIRED TO BEND SHARPLY AT EPOXY SEAL SURFACE.
- COSMETIC SURFACE VOIDS NOT ON O-RING SEALING SURFACES ARE ACCEPTABLE BASED ON THE SEAL'S DIAMETER:  
<= .5 [12.7] SEAL DIAMETER: Ø.035 [.89] MAX ALLOWED VOID SIZE  
> .5 [12.7] SEAL DIAMETER: Ø.060 [1.5] MAX ALLOWED VOID SIZE
- REF-OPERATING TEMPERATURE RANGE PER TABLE.
- DIMENSIONS ARE INCHES [millimeters].
- PAVE-SEAL CAN BE A BI-DIRECTIONAL HERMETIC SEAL FOR VACUUM AND MOST PRESSURES. FOR PRESSURES ABOVE 150 PSI (10 BAR), CHECK WITH SALES ENGINEERING.

8	3	TZ20 ORANGE	WIRE 20 TEFLON M22759/16 19/#32
7	3	TZ20 WHT M/16	WIRE 20 TEFLON M22759/16 19/#32
6	3	TZ20 YELLOW	WIRE 20 TEFLON M22759/16 19/#32
5	3	TZ20 GRN M/16	WIRE 20 TEFLON M22759/16 19/#32
4	A/R	SEE TABLE	EPOXY BLACK
3	1	0183	NUT VS15-SS
2	1	SEE TABLE	SEE TABLE
1	1	0161	HOUSING VS15L-SS
<b>ITEM</b>	<b>QTY</b>	<b>PART NUMBER</b>	<b>DESCRIPTION</b>

**PAVE technology co.**  
 2751 Thunderhawk Court  
 Dayton, OH 45414-3445  
 U.S.A.  
 tel (937) 890-1100  
 fax (937) 8905165  
 www.pavetechnologyco.com

DESCRIPTION  
SEE TABLE

PART NUMBER \*SEE TABLE MATERIAL NOTED  
**1649\***

REVISION LEVEL H PROJECTION

ALL DIMENSIONS AND TOLERANCES APPLY TO FINISHED PART IN INCHES.  
 ALLOWABLE TOLERANCES UNLESS SPECIFIED OTHERWISE: NONE ±0.5  
 X.X DECIMAL ±0.1 X.XX DECIMAL ±0.02 X.XXX DECIMAL ±0.005  
 ANGLES ±1 DEGREE SURFACE FINISH 128 microinch RMS