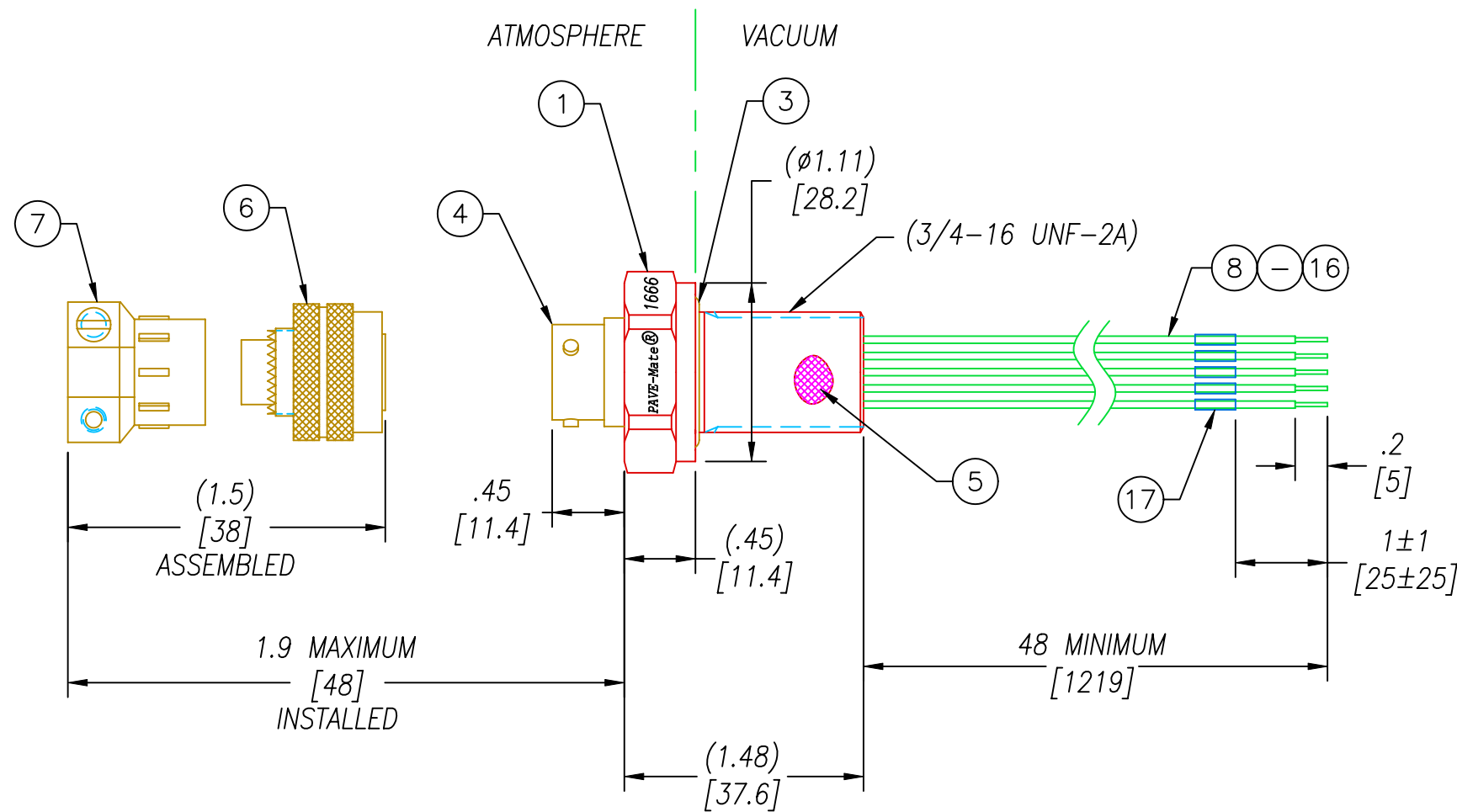


PINOUT TABLE

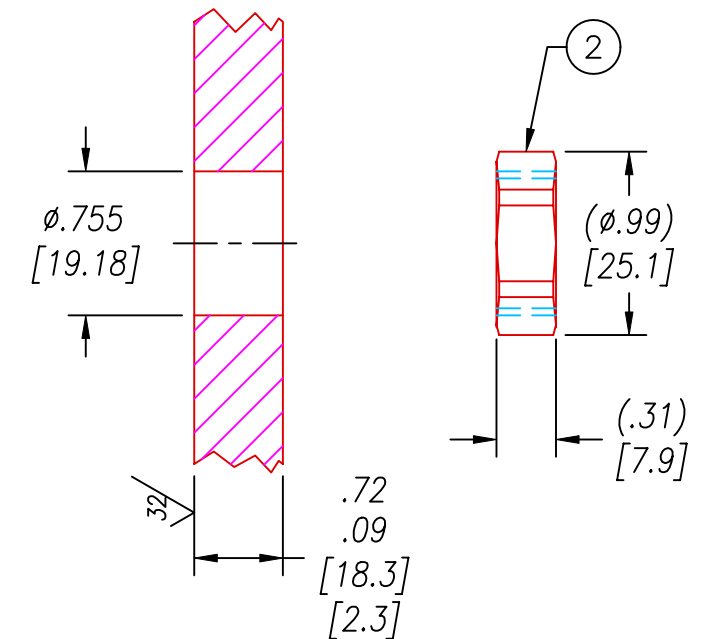
PIN	COLOR	PIN	COLOR
1	BROWN	8	WHITE
2	RED	9	BLACK
3	ORANGE	10	ORANGE
4	YELLOW	11	YELLOW
5	BLUE	12	GRAY
6	VIOLET	13	WHITE
7	GRAY		

NOTES:

- HE LEAK TEST @1 ATM. 10×10^{-8} CC/S OR LESS.
- HYPOT 630 VDC 500 MEGOHMS MINIMUM .01 SEC MINIMUM, WIRE TO WIRE & HOUSING.
- CONTINUITY TEST WITH MATING PLUG ALL WIRES < 1.0 OHM.
- ALL TESTS ARE DONE AT ROOM TEMPERATURE.
- ALL PARTS MUST PASS ALL TESTS.
- ADDING "NP" TO THE PAVE PART NUMBER AND ORDER CODE INDICATES THAT ITEMS 6 & 7 ARE NOT INCLUDED (NO PLUG OR STRAIN RELIEF).
- THE ELECTRICAL CONTACT BETWEEN ITEMS 1 & 4 IS NOT CONTROLLED.
- WIRES ARE NOT REQUIRED TO BEND SHARPLY AT EPOXY SEAL SURFACE.
- VOIDS LARGER THAN $\phi.035$ [.89] ARE NOT ACCEPTABLE.
- DIMENSIONS ARE INCHES [millimeters].
- ALCOHOL OR FOMBLIN YVAC 3 MAY BE USED TO LUBRICATE O-RINGS FOR VACUUM HELIUM LEAK TESTING.



VS12L INSTALLATION PORT



17	13	BRADY MARKER	WIRE MARKERS #1-13
16	2	E22 ORANGE	WIRE 22E MIL-W-16878/4 .010 7STR
15	2	E22 WHITE	WIRE 22E MIL-W-16878/4 .010 7STR
14	2	E22 GRAY	WIRE 22E MIL-W-16878/4 .010 7STR
13	2	E22 YELLOW	WIRE 22E MIL-W-16878/4 .010 7STR
12	1	E22 RED	WIRE 22E MIL-W-16878/4 .010 7STR
11	1	E22 BLACK	WIRE 22E MIL-W-16878/4 .010 7STR
10	1	E22 VIOLET	WIRE 22E MIL-W-16878/4 .010 7STR
9	1	E22 BROWN	WIRE 22E MIL-W-16878/4 .010 7STR
8	1	E22 BLUE	WIRE 22E MIL-W-16878/4 .010 7STR
7	1	SEE NOTE 6 M85049/49-2-10N	S/R FOR MS27506*2
6	1	SEE NOTE 6 MS27473T10F35S	PLUG 13#22 SOCKETS 38999 SERIES 2
5	A/R	PAVE-Seal 150	EPOXY BLACK
4	1	MS27508E10F35P	RCPT 13#22 PINS 38999 SERIES 2
3	1	-116 VITON	O-RING -116 VITON 75
2	1	8L5N-B	NUT VS12-B
1	1	3241	HOUSING VS12L-AL
ITEM	QTY	PART #	DESCRIPTION

2751 Thunderhawk Court
Dayton, Ohio 45414-3445
U.S.A.
(937)890-1100
fax (937)890-5165
www.pavetechnologyco.com

PAVE technology co.

DESCRIPTION PAVE-Mate® II Connectors
VS12L-AL-150-13-TE22-27508P-48

PART NUMBER 1666
REVISION LEVEL L
PROJECTION

ALL DIMENSIONS AND TOLERANCES APPLY TO FINISHED PART IN INCHES
ALLOWABLE TOLERANCES UNLESS SPECIFIED OTHERWISE: NONE +/-0.5
.X DECIMAL +/- 0.1 .XX DECIMAL +/- 0.02 .XXX DECIMAL +/-0.005
ANGLES +/- 1 DEG SURFACE FINISH 128 microinch RMS