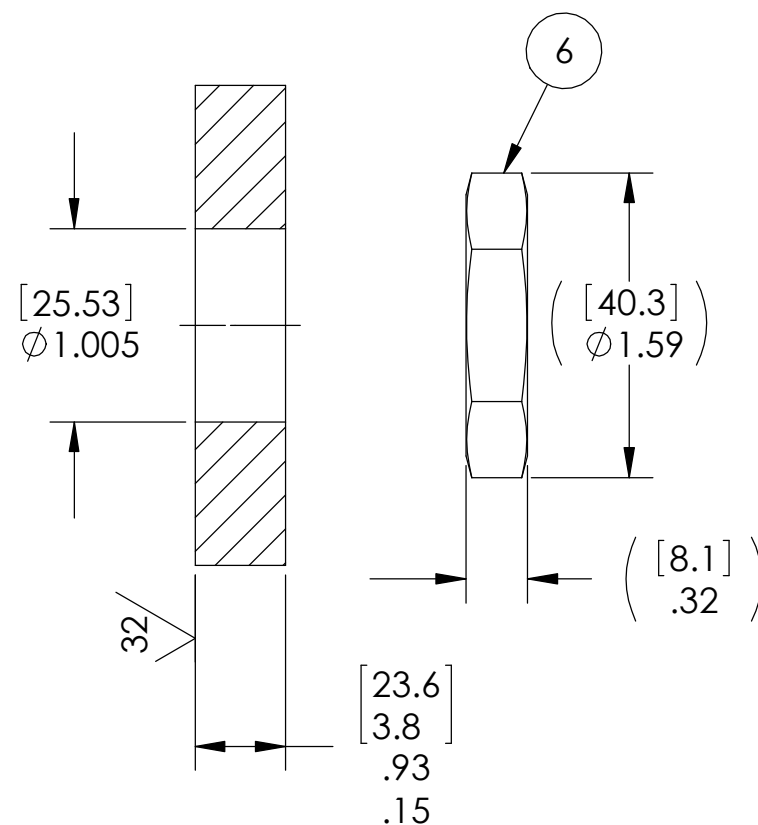


VS15L INSTALLATION PORT



NOTES:

1. HE LEAK TEST @ 1 ATM 1X10<sup>-7</sup> CC/SEC OR LESS. A GREEN PAINT DOT ON THE ATMOSPHERE SIDE INDICATES THE PART HAS PASSED THE TEST.
2. HYPOT 1000 VDC 100 MEGOHMS MINIMUM 0.01 SECOND MINIMUM PIN TO PIN & HOUSING WITH MATING CONNECTORS.
3. CONTINUITY TEST <0.5 OHM PIN TO SOCKET WITH MATING CONNECTORS.
4. ALL TEST ARE PERFORMED AT ROOM TEMPERATURE.
5. ALL PARTS MUST PASS ALL TESTS.
6. COSMETIC SURFACE VOIDS NOT ON O-RING SEALING SURFACES ARE ACCEPTABLE BASED ON THE SEAL'S DIAMETER:  
 <= .5 [12.7] SEAL DIAMETER:  $\phi$ .035 [1.89] MAX ALLOWED VOID SIZE  
 > .5 [12.7] SEAL DIAMETER:  $\phi$ 0.060 [1.5] MAX ALLOWED VOID SIZE
7. REF-OPERATING TEMPERATURE RANGE -20°C TO 125°C.
8. DIMENSIONS ARE INCHES [millimeters].
9. ALCOHOL OR FOMBLIN YVAC 3 MAY BE USED TO LUBRICATE O-RINGS FOR VACUUM HELIUM LEAK TESTING.
10. PAVE-SEAL CAN BE A BI-DIRECTIONAL HERMETIC SEAL FOR VACUUM AND MOST PRESSURES. FOR PRESSURES ABOVE 150 PSI (10 BAR), CHECK WITH SALES ENGINEERING.

ITEM	QTY	PART NUMBER	DESCRIPTION
8	1	SC3116F12-14S	PLUG 14#20 GOLD PLATED COPPER ALLOY CRIMP SOCKETS, NEOPRENE INSERT, NICKEL PLATED ALUMINUM SHELL
7	1	SC3116F12-14P	PLUG 14#20 GOLD PLATED COPPER ALLOY CRIMP PINS, NEOPRENE INSERT, NICKEL PLATED ALUMINUM SHELL
6	1	0183	NUT VS15-SS
5	1	-215 VITON	O-RING -215 VITON 75
4	1	SC3112E12-14S	RCPT 14#20 GOLD PLATED COPPER ALLOY SOCKETS, NEOPRENE INSERT, NICKEL PLATED ALUMINUM SHELL
3	1	SC3112E12-14P	RCPT 14#20 GOLD PLATED COPPER ALLOY PINS, NEOPRENE INSERT, NICKEL PLATED ALUMINUM SHELL
2	A/R	PAVE-Seal 150	EPOXY BLACK
1	1	0161	HOUSING VS15L-SS

**PAVE technology co.**

2751 Thunderhawk Court  
Dayton, OH 45414-3445  
U.S.A.  
tel (937) 890-1100  
fax (937) 8905165  
www.pavetechnologyco.com

DESCRIPTION  
VS15L-SS-150-14-20-3112PS

PART NUMBER  
**1684**

MATERIAL NOTED

REVISION LEVEL  
C

PROJECTION

ALL DIMENSIONS AND TOLERANCES APPLY TO FINISHED PART IN INCHES.  
 ALLOWABLE TOLERANCES UNLESS SPECIFIED OTHERWISE: NONE ±0.5  
 X.X DECIMAL ±0.1 X.XX DECIMAL ±0.02 X.XXX DECIMAL ±0.005  
 ANGLES ±1 DEGREE SURFACE FINISH 128 microinch RMS