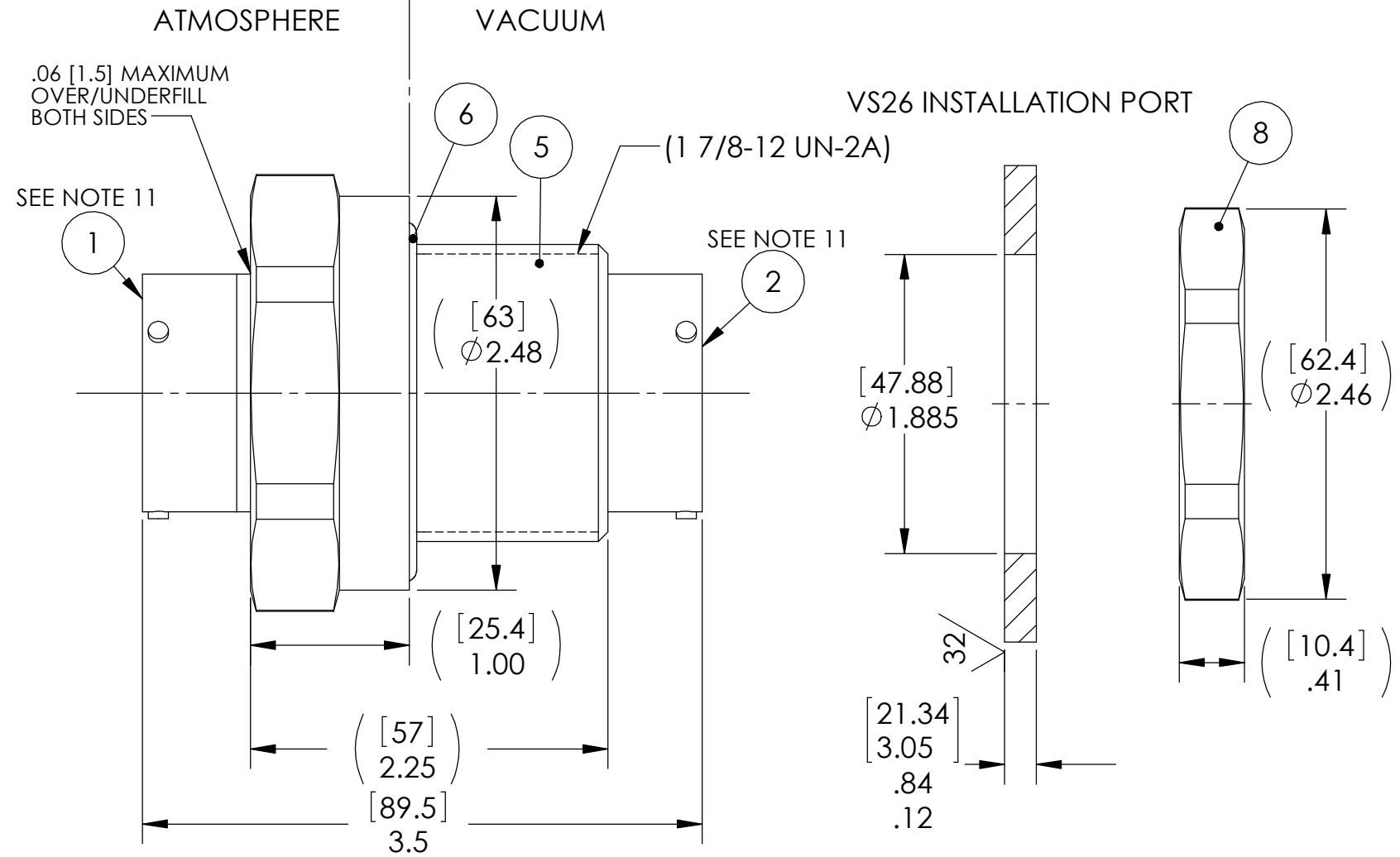
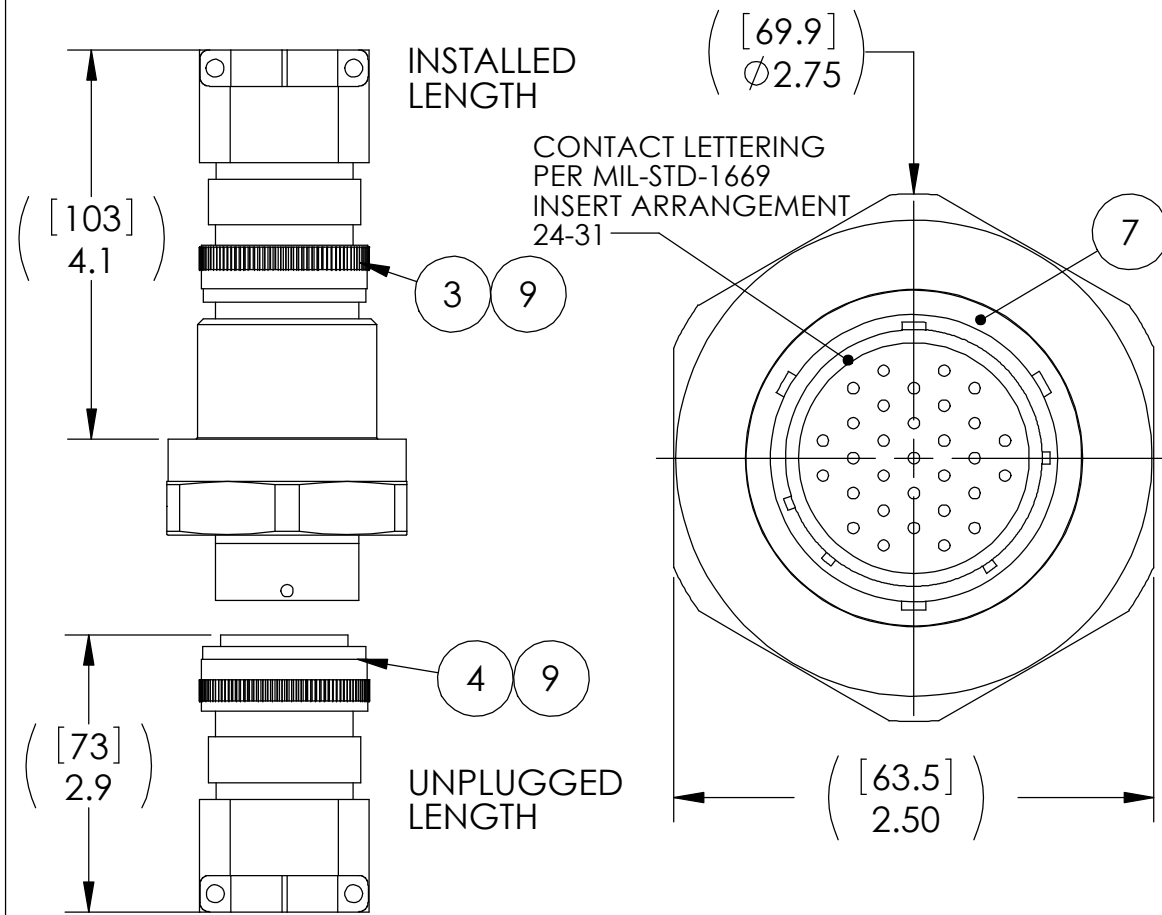


SCALE 1:2



NOTES:

1. HE LEAK TEST @ 1 ATM. 1X10⁻⁷ CC/SEC OR LESS. A GREEN PAINT DOT INDICATES THE PART HAS PASSED THE TEST.
2. HYPOT 1000 VDC 500 MEGOHMS MINIMUM 0.01 SECOND MINIMUM PIN TO SOC & HOUSING WITH MATING CONNECTORS.
3. CONTINUITY TEST < 0.5 OHMS PIN TO SOCKET WITH MATING CONNECTORS.
4. ALL TESTS ARE PERFORMED AT ROOM TEMPERATURE.
5. COSMETIC SURFACE VOIDS NOT ON O-RING SEALING SURFACES ARE ACCEPTABLE BASED ON THE SEAL'S DIAMETER:
 <= .5 [12.7] SEAL DIAMETER: Ø.035 [.89] MAX ALLOWED VOID SIZE
 > .5 [12.7] SEAL DIAMETER: Ø.060 [1.5] MAX ALLOWED VOID SIZE
6. ALL PARTS MUST PASS ALL TESTS.
7. REF-OPERATING TEMPERATURE -20°C TO 125°C.
8. DIMENSIONS ARE INCHES [millimeters].
9. PAVE-SEAL CAN BE A BI-DIRECTIONAL HERMETIC SEAL FOR VACUUM AND MOST PRESSURES. FOR PRESSURES ABOVE 150 PSI (10 BAR), CHECK WITH SALES ENGINEERING.
10. ALCOHOL OR FOMLBIN YVAC 3 MAY BE USED TO LUBE O-RINGS FOR VACUUM HELIUM LEAK TESTING.
11. 1957-R IS REVERSED: SOCKET RECEPTACLE ON THE ATMOSPHERE SIDE AND PIN RECEPTACLE ON THE VACUUM SIDE.

9	2	M85049/52-1-24N	S/R SHELL SIZE 24 ALUMINUM STRAIGHT
8	1	0185	NUT VS26-SS
7	A/R	PAVE-Seal 150	EPOXY BLACK
6	1	-226 VITON	O-RING -226 VITON 75
5	1	1531	HOUSING VS26-SS
4	1	MS3476L24-31S	PLUG 31#20 GOLD PLATED COPPER ALLOY CRIMP SOCKETS, RIGID DIELECTRIC INSERT, SILICONE GROMMET, NICKEL PLATED ALUMINUM SHELL
3	1	MS3476L24-31P	PLUG 31#20 GOLD PLATED COPPER ALLOY CRIMP PINS, RIGID DIELECTRIC INSERT, SILICONE GROMMET, NICKEL PLATED ALUMINUM SHELL
2	1	SC3112E24-31S	RCPT 31#16 GOLD PLATED COPPER ALLOY SOCS, NEOPRENE INSERT, NICKEL PLATED ALUMINUM SHELL
1	1	SC3112E24-31P	RCPT 31#16 GOLD PLATED COPPER ALLOY PINS, NEOPRENE INSERT, NICKEL PLATED ALUMINUM SHELL
ITEM	QTY.	PART #	DESCRIPTION

PAVE technology co.
 2751 Thunderhawk Court
 Dayton, OH 45414-3445
 U.S.A.
 tel (937) 890-1100
 fax (937) 8905165
 www.pavetechnologyco.com

DESCRIPTION
 VS26-SS-150-31-16-3112PS

PART NUMBER
1957

MATERIAL NOTED
 REVISION LEVEL
 D

PROJECTION

ALL DIMENSIONS AND TOLERANCES APPLY TO FINISHED PART IN INCHES.
 ALLOWABLE TOLERANCES UNLESS SPECIFIED OTHERWISE: NONE ±0.5
 X.X DECIMAL ±0.1 X.XX DECIMAL ±0.02 X.XXX DECIMAL ±0.005
 ANGLES ±1 DEGREE SURFACE FINISH 128 microinch RMS