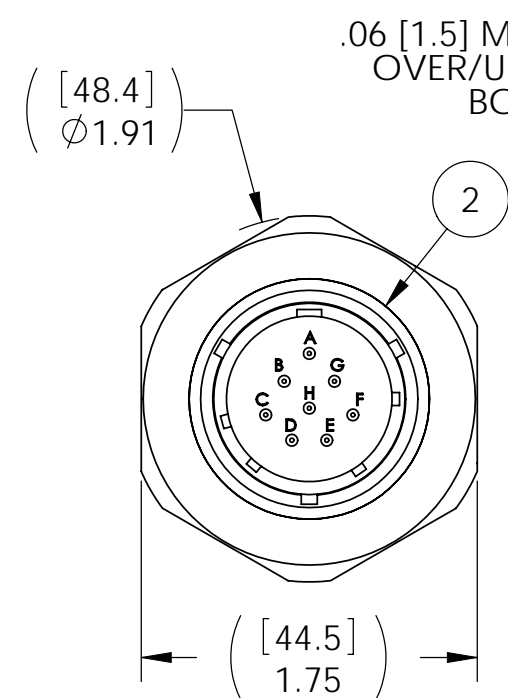
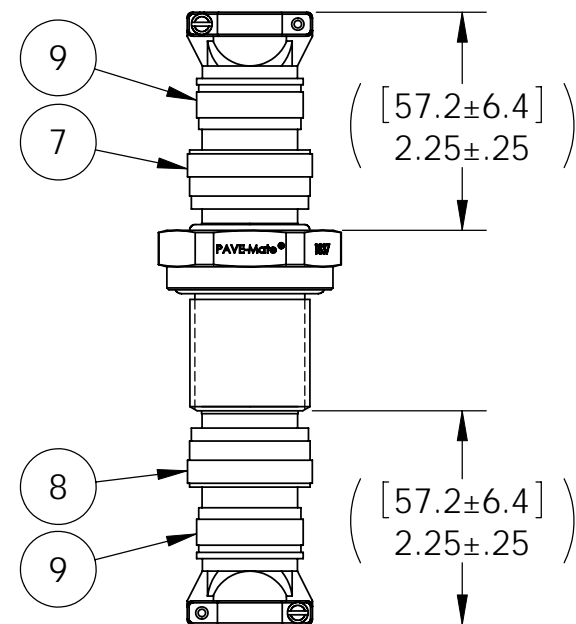
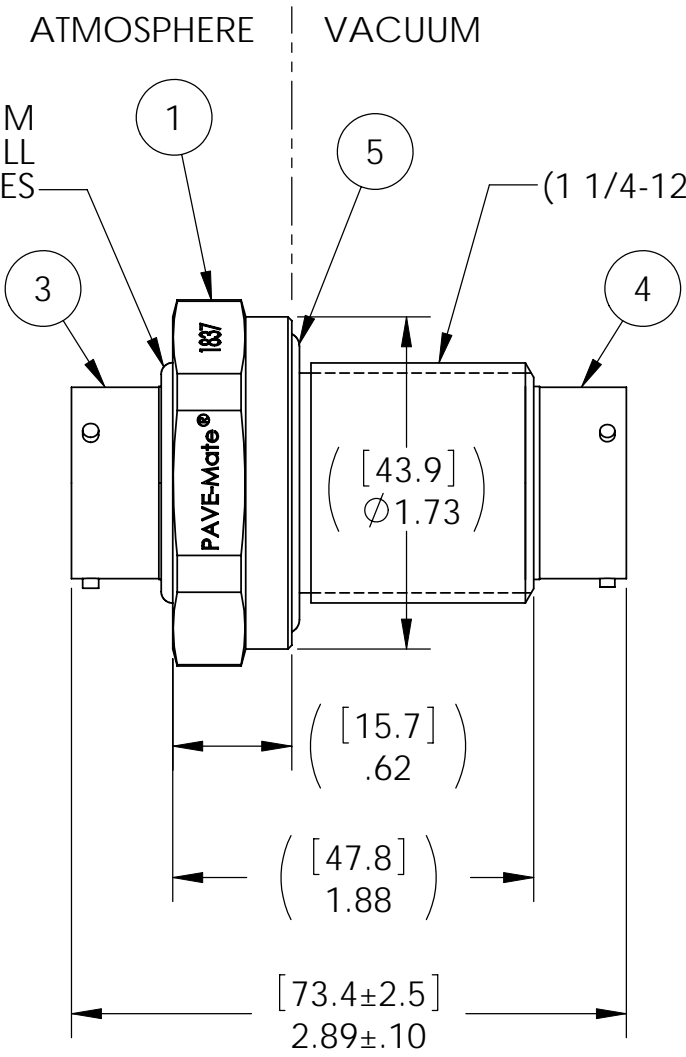


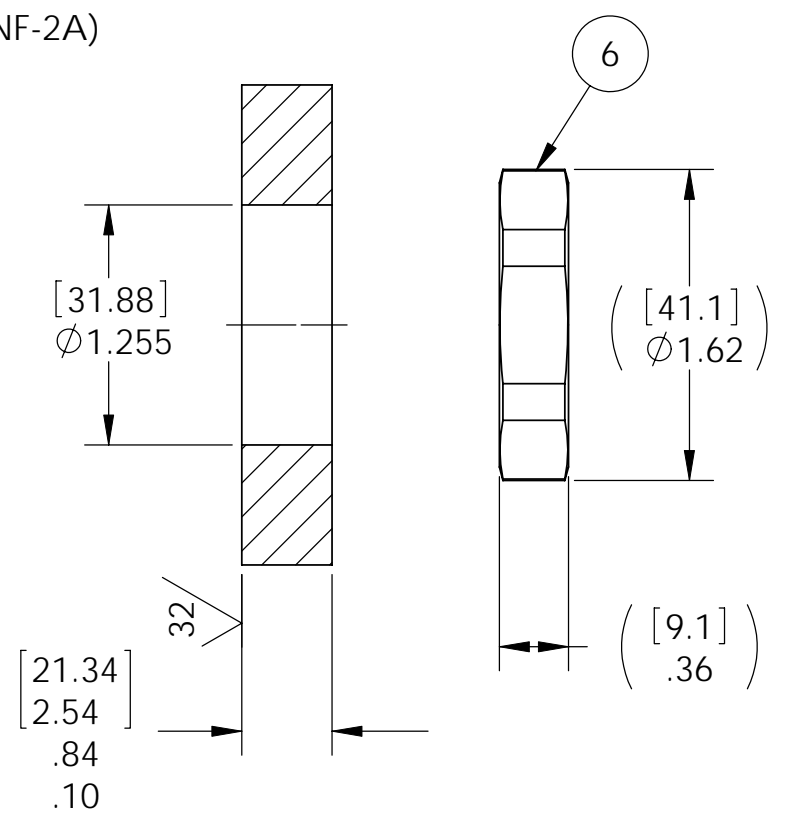
(ASSEMBLED)
SCALE: 1:2



.06 [1.5] MAXIMUM
OVER/UNDERFILL
BOTH SIDES



VS18 INSTALLATION PORT



NOTES:

1. HE LEAK TEST @ 1 ATM. 1×10^{-7} CC/SEC OR LESS. A GREEN PAINT DOT INDICATES THE PART HAS PASSED THE TEST.
2. HYPOT 1000 VDC 500 MEGOHMS MINIMUM 0.01 SECOND MINIMUM PIN TO PIN AND HOUSING WITH MATING CONNECTORS.
3. CONTINUITY TEST <0.5 OHM PIN TO SOCKET WITH MATING CONNECTORS.
4. ALCOHOL OR FOMBLIN YVAC 3 MAY BE USED TO LUBRICATE O-RINGS FOR VACUUM HELIUM LEAK TESTING.
5. ALL TESTS ARE PERFORMED AT ROOM TEMPERATURE.
6. ALL PARTS MUST PASS ALL TESTS.
7. COSMETIC SURFACE VOIDS SMALLER THAN $\phi 0.035$ [0.89] ARE ACCEPTABLE.
8. REF-OPERATING TEMPERATURE -20 °C TO 125 °C.
9. DIMENSIONS ARE INCHES [millimeters].
10. PAVE-SEAL CAN BE A BI-DIRECTIONAL HERMETIC SEAL FOR VACUUM AND MOST PRESSURES. FOR PRESSURES ABOVE 150 PSI (10 BAR), CHECK WITH SALES ENGINEERING.

| 9 | 2 | M85049/52-1-16N | STRAIN RELIEF CLAMP SHELL SIZE 16, STRAIGHT, NON SELF-LOCKING, NICKEL PLATED ALUMINUM |
|------|-----|-----------------|---|
| 8 | 1 | 776L16-8P513 | PLUG 8#16 GOLD PLATED COPPER ALLOY CRIMP PINS, EPOXY INSERT, NICKEL PLATED ALUMINUM SHELL |
| 7 | 1 | MS3476L16-8S | PLUG 8#16 GOLD PLATED COPPER ALLOY CRIMP SOCKETS, RIGID DIELECTRIC INSERT, SILICONE GROMMET, NICKEL PLATED ALUMINUM SHELL |
| 6 | 1 | 1014 | NUT VS18-SS |
| 5 | 1 | -219 VITON | O-RING -219 VITON 75 |
| 4 | 1 | 771L16-8S460 | RCPT 8#16 GOLD PLATED COPPER ALLOY SOCKETS, EPOXY INSERT, NICKEL PLATED ALUMINUM SHELL |
| 3 | 1 | SC3112E16-8P | RCPT 8#16 GOLD PLATED COPPER ALLOY PINS, NEOPRENE INSERT, NICKEL PLATED ALUMINUM SHELL |
| 2 | A/R | PAVE-Seal 150 | EPOXY BLACK |
| 1 | 1 | 3207 | HOUSING VS18-SS |
| ITEM | QTY | PART NUMBER | DESCRIPTION |

PAVE technology co.

2751 Thunderhawk Court
Dayton, OH 45414-3445
U.S.A.
tel (937) 890-1100
fax (937) 8905165
www.pavetechnologyco.com

DESCRIPTION
VS18-SS-150-8-16-3112PS

PART NUMBER
1837

MATERIAL NOTED

REVISION LEVEL
G

PROJECTION

ALL DIMENSIONS AND TOLERANCES APPLY TO FINISHED PART IN INCHES.
ALLOWABLE TOLERANCES UNLESS SPECIFIED OTHERWISE: NONE ±0.5
X.X DECIMAL ±0.1 X.XX DECIMAL ±0.02 X.XXX DECIMAL ±0.005
ANGLES ±1 DEGREE SURFACE FINISH 128 microinch RMS