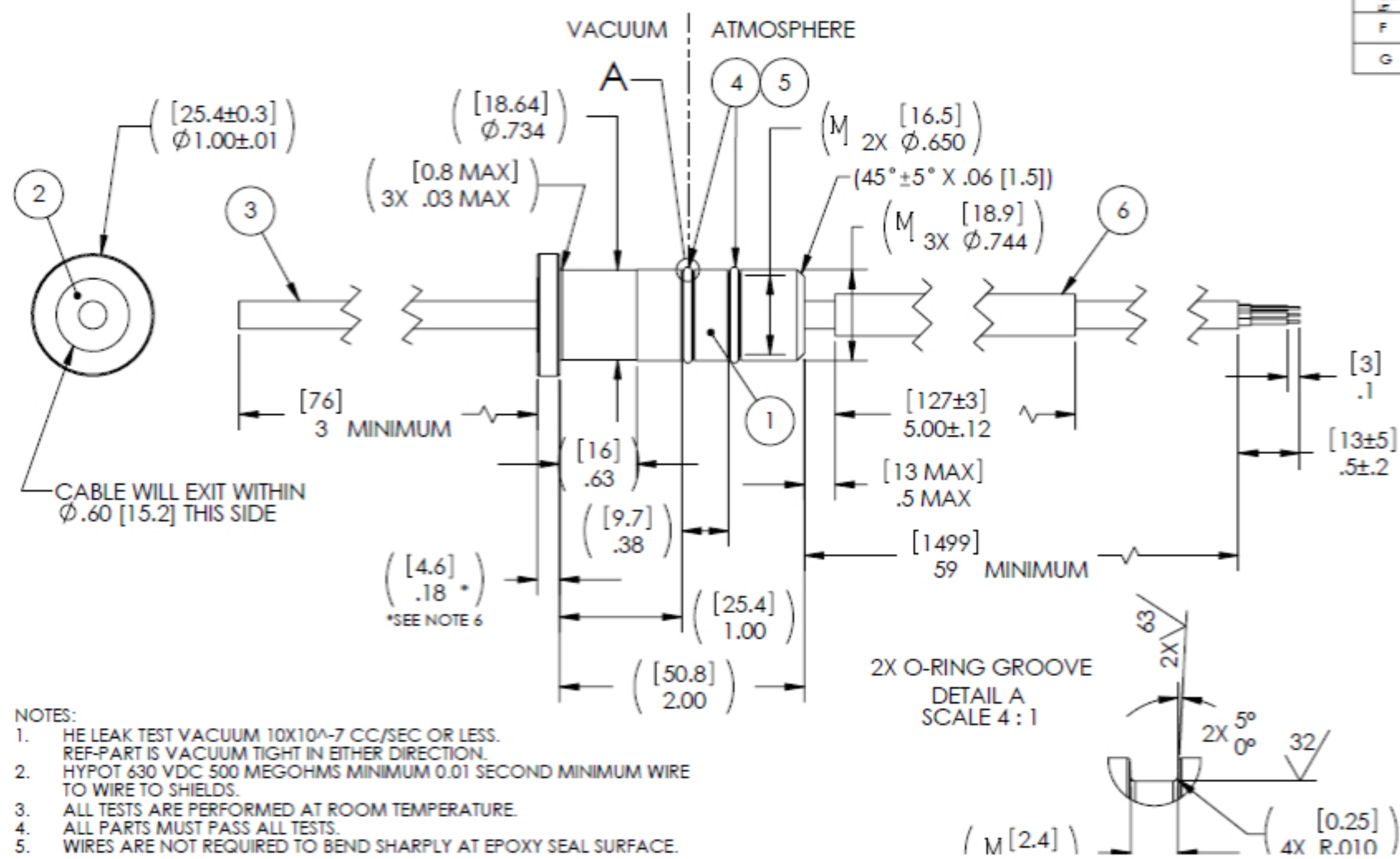
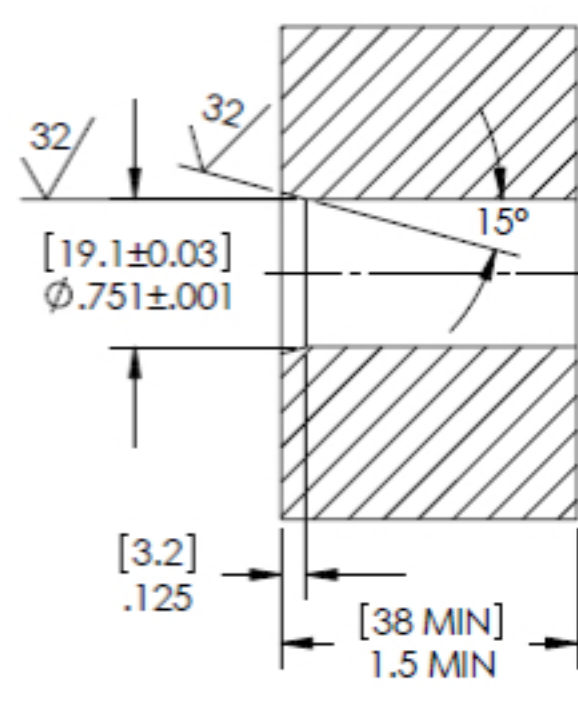


REV	ALTERATIONS	CHANGED BY	DATE
F	ADD 4164, UPDATE FOR 4164, EXIT .60 WAS .50	KHK	AP
G	TOP GROOVE RADIUS WAS .01 MAX. NOW 4X R.010	KHK	AP

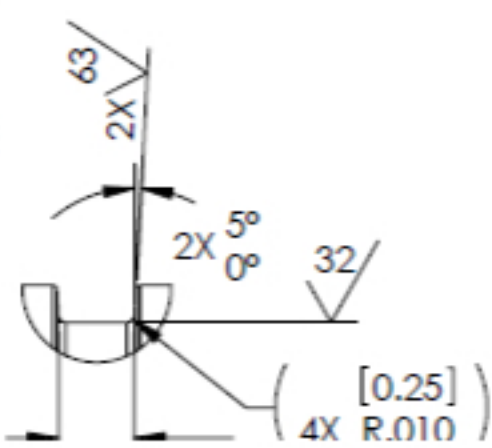


SPF12XL INSTALLATION PORT



- NOTES:
- HE LEAK TEST VACUUM 10×10^{-7} CC/SEC OR LESS. REF-PART IS VACUUM TIGHT IN EITHER DIRECTION.
 - HYPOT 630 VDC 500 MEGOHMS MINIMUM 0.01 SECOND MINIMUM WIRE TO WIRE TO SHIELDS.
 - ALL TESTS ARE PERFORMED AT ROOM TEMPERATURE.
 - ALL PARTS MUST PASS ALL TESTS.
 - WIRES ARE NOT REQUIRED TO BEND SHARPLY AT EPOXY SEAL SURFACE.

2X O-RING GROOVE
DETAIL A
SCALE 4:1



ITEM	QTY	PART NUMBER	DESCRIPTION
6	1	FIT-FLEX-5	TUBING HEAT SHRINK FLEXIBLE ALPHA ONLY
5	A/R	KRYTOX 240AC	LUBRICANT O-RING KRYTOX GREASE DUPONT
4	2	2-016 V0747-75	O-RING 2-016 V0747-75 PARKER ONLY
3	1	CCSC-04-020	CABLE 4/C 2/TWSH E24 19/36 OVERALL WHITE PTFE TAPE WRAP JACKET 600V 200C PAIR 1 RED/BLACK TWISTED + 24 AWG DRAIN WIRE PAIR 2 BLUE/YELLOW TWISTED + 24 AWG DRAIN WIRE EACH INDIVIDUAL PAIR IS SHIELDED WITH 85% MIN BRAID ASTRO ONLY
2	A/R	PAVE-Seal 200	EPOXY BLACK
1	1	4164	HOUSING SPF12XL-E

PAVE technology co.

DESCRIPTION: PAVE-Seal® Cable H
SPF12XL-E-200-1-2TSP24

NOTED

DR BY: KHK
DATE: 08 OCT 10

APPROVED BY: _____

PART NUMBER: 4006

1
2