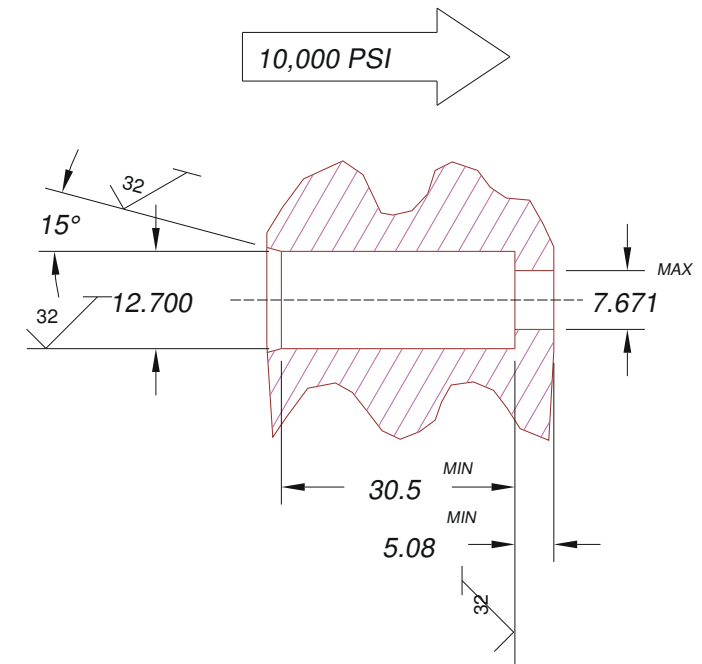


LEAK TEST PORT (REFERENCE ONLY)



NOTES:

1. LEAK TEST: 10,000 PSI FOR 2 MINUTES MIN, NO VISIBLE LEAKS.
2. ELECTRICAL TEST: 630 VDC, 500 MEGOHMS MIN WIRE TO WIRE.

Design Library

METRIC PRINT



TITLE OR PAVE ORDER CODE

SP8H-E-80-12-PC30-50CM-50CM

PART NUMBER

1277

PROJECTION

