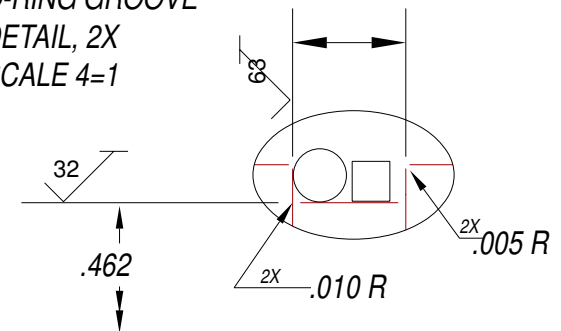


ITEM	QTY	PART NUMBER	DESCRIPTION
1	1	2/C UL3266 26AWG TSP	IRR. POLYOLEFIN CABLE, (2) SOLID COND.
2	3	UL3266 26AWG SOLID	IRR. POLYOLEFIN WIRE, SOLID COND.
3	1	SP9/128 HOUSING	PAVESEAL 200 SP9 x 1.28 LONG
4	REF	WALDES TRUARC N5000-62	RETAINING RING
5	3	PARKER 2-013 V747-75	-013 VITON O-RING, 75 DUROMETER
6	2	M8791/1-013	SINGLE TURN TEFLON BACKUP RING
7	2	UL3266 26AWG SOLID	IRR. POLYOLEFIN WIRE, SOLID COND.

**NOTES:**

1. LEAK TEST: 3,000 PSI FOR 2 MINUTES MIN, NO VISIBLE LEAKS.
2. ELECTRICAL TEST: 1000 VDC, 500 MEGOHMS MIN WIRE TO WIRE & PORT.
3. CHECK SHIELD CONTINUITY < 1 OHM.

O-RING GROOVE  
DETAIL, 2X  
SCALE 4=1



2751 Thunderhawk Court  
Dayton, Ohio 45414-3445  
U.S.A.  
(937)890-1100  
fax (937)890-5165  
www.pave technologyco.com

TITLE OR PAVE ORDER CODE

**SP9/128 7 WIRE ASY.**

PART NUMBER

**1320**

PROJECTION

