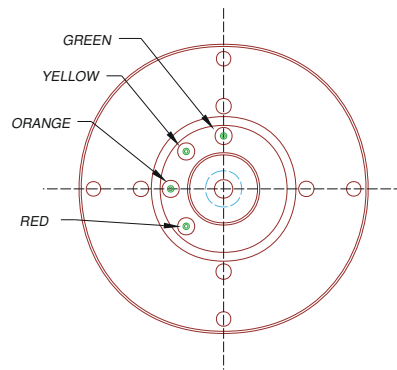
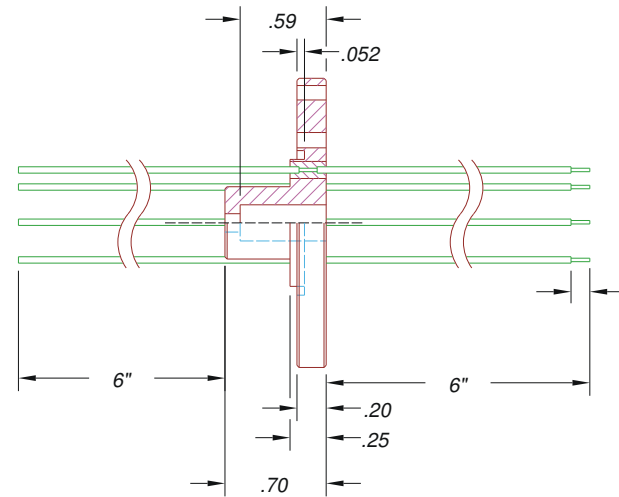
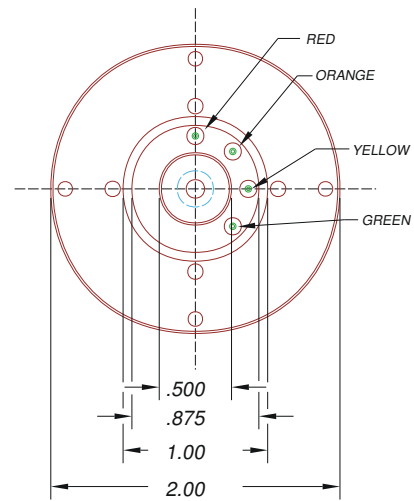


FLANGE 2 SEE NOTE 4
COUNTER-CLOCKWISE
WIRE PATTERN SEE NOTE 3




FLANGE 1 SEE NOTE 4
CLOCKWISE WIRE
PATTERN SEE NOTE 3



NOTES:

1. ELECTRICAL TEST 1000 VDC, 500 MEGOHMS MIN, WIRE TO WIRE & HOUSING.
2. HELIUM LEAK TEST, LESS THEN 1×10^{-7} CC/SEC AT 1 ATM.
3. SUGGESTED WIRE COLORS, SUBJECT TO CHANGE BASED ON AVAILABILITY.
4. FLANGE*, WHERE * EQUALS THE VERSION OF THE FLANGE.

	2751 Thunderhawk Court Dayton, Ohio 45414-3445 U.S.A. (937)890-1100 fax (937)890-5165 www.pavetechnologyco.com	
	TITLE OR PAVE ORDER CODE FLANGE*-B-150-4-TE24-6-6	
PART NUMBER 1545	PROJECTION 