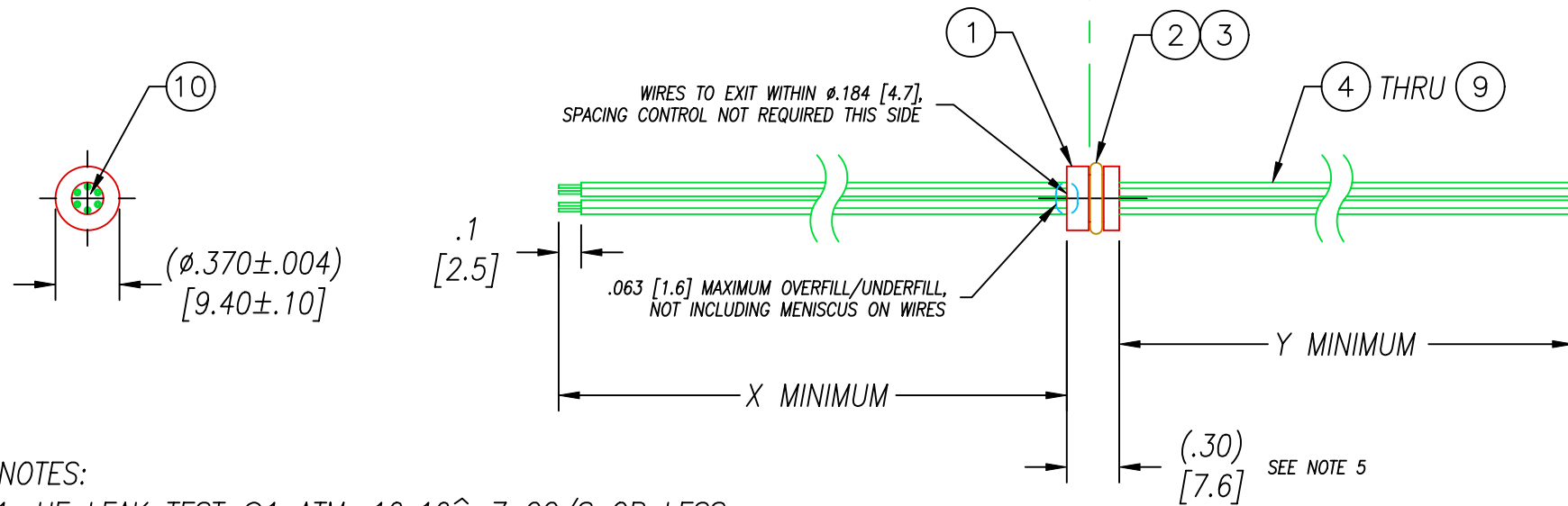


# WIRE LENGTH TABLE

PAVE #	X	Y
1632	19.7 [500]	19.7 [500]
1632-1	48 [1219]	18 [457]
1632-2	5 [127]	5 [127]
1632-3	19.7 [500]	19.7 [500]
1632-4	19.7 [500]	19.7 [500]
1632-5	19.7 [500]	19.7 [500]



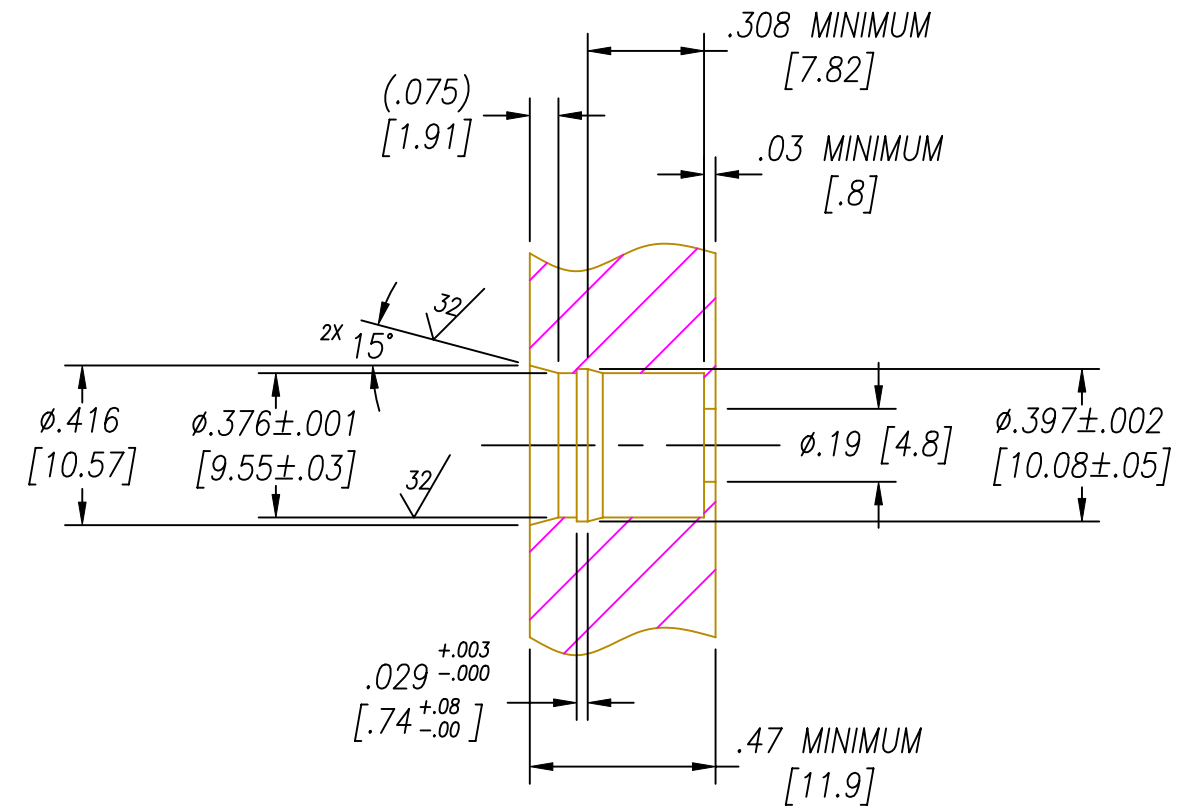
**NOTES:**

- HE LEAK TEST @1 ATM.  $10 \times 10^{-7}$  CC/S OR LESS.  
1632-3: N2 LEAK TEST @4400 PSI, NO BUBBLES 2 MINUTES MINIMUM.
- HYPOT 630 VDC 500 MΩ .01 SEC MINIMUM, WIRE TO WIRE.
- ALL TESTS ARE PERFORMED AT ROOM TEMPERATURE.
- ALL PARTS MUST PASS ALL TESTS.
- DIMENSION IS OVERALL LENGTH EXCLUDING OVERFILL ON ATMOSPHERE SIDE OF HOUSING.
- WIRES ARE NOT REQUIRED TO BEND SHARPLY AT EPOXY SEAL SURFACE.
- NO COSMETIC SURFACE VOIDS ARE ACCPETABLE ON O-RING SEALING SURFACES, COSMETIC SURFACE VOIDS SMALLER THAN  $\phi.035$  [.89] ARE ACCEPTABLE ON ALL OTHER SURFACES.
- WIRE COLOR POSITIONS ARE APPROXIMATE AND VARIABLE.
- DIMENSION ARE IN INCHES [millimeters].
- REF-REPLACE O-RING IF REMOVED FROM PORT.
- FOR 1632-4: REPLACE ITEM 2 WITH -010 BUNA.
- FOR 1632-5: O-RING IS INSTALLED DRY (NO ITEM 3). ISOPROPYL ALCOHOL IS USED AS LUBRICATION FOR LEAK TESTING.

10	A/R	PAVE-Seal 150	EPOXY BLACK
9	1	E28 WHITE	WIRE 28E MIL-W-16878/4 .010 7/#36 WHITE
8	1	E28 RED	WIRE 28E MIL-W-16878/4 .010 7/#36 RED
7	1	E28 ORANGE	WIRE 28E MIL-W-16878/4 .010 7/#36 ORANGE
6	1	E28 GREEN	WIRE 28E MIL-W-16878/4 .010 7/#36 GREEN
5	1	E28 BLUE	WIRE 28E MIL-W-16878/4 .010 7/#36 BLUE
4	1	E28 BLACK	WIRE 28E MIL-W-16878/4 .010 7/#36 BLACK
3	A/R	FOMBLIN YVAC 3	LUBRICANT O-RING FOMBLIN GREASE
2	1	-010 VITON	O-RING -010 VITON 75
1	1	0168	HOUSING SP6-E
ITEM	QTY	PART#	DESCRIPTION

ALL DIMENSIONS AND TOLERANCES APPLY TO FINISHED PART IN INCHES  
 ALLOWABLE TOLERANCES UNLESS SPECIFIED OTHERWISE: NONE +/-0.5  
 .X DECIMAL +/- 0.1 .XX DECIMAL +/- 0.02 .XXX DECIMAL +/-0.005  
 ANGLES +/- 1 DEG SURFACE FINISH 128 microinch RMS

SP6 INSTALLATION BORE  
 SCALE: 2=1  
 SEE NOTE 10



RECOMMENDED RETAINING RING  
 ROTOR CLIP HO-37 OR EQUIVALENT

2751 Thunderhawk Court  
 Dayton, Ohio 45414-3445  
 U.S.A.  
 (937)890-1100  
 fax (937)890-5165  
 www.pavetechnologyco.com

**PAVE technology co.**

DESCRIPTION PAVE-Seal Cable Harnesses SEE TABLE  
 SP6-E-150-6-TE28-X-Y

PART NUMBER  
**1632**

REVISION LEVEL  
**M**

PROJECTION