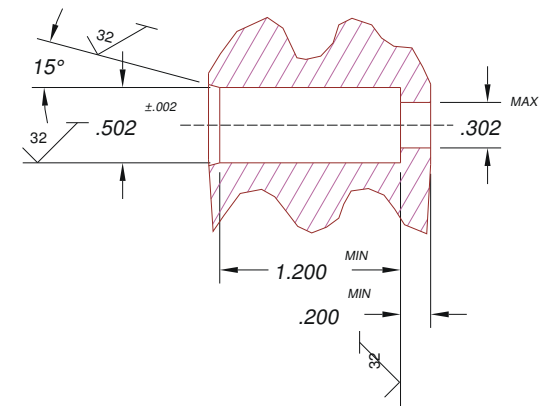



LEAK TEST PORT
REFERENCE ONLY



NOTES:

1. LEAK TEST: 4000 PSI, NO BUBBLES 1 MINUTES MIN.
2. HYPOT 630 VDC 500 MEGOHMS .01 SEC MINIMUM, WIRE TO WIRE.

		2751 Thunderhawk Court Dayton, Ohio 45414-3445 U.S.A. (937)890-1100 fax (937)890-5165 www.pavetechnologyco.com
TITLE OR PAVE ORDER CODE		
SP8H-E-150-12-ET24-12-12		
PART NUMBER	PROJECTION	
1792	