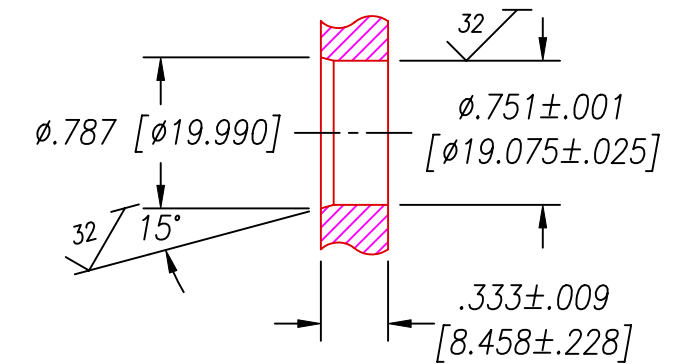


SPF12 INSTALLATION PORT



RECOMMENDED RETAINING RING
TRUARC #5100-75 OR EQUAL

NOTES:

1. LEAK TEST: 80 PSI, NO BUBBLES 1 MINUTE MINIMUM.
2. HYPOT 630 VDC 500 MΩ 0.01 SEC MINIMUM, WIRE TO WIRE.
3. ALL TESTS ARE PERFORMED AT ROOM TEMPERATURE.
4. ALL PARTS MUST PASS ALL TESTS.
5. WIRE COLOR POSITIONS ARE APPROXIMATE AND VARIABLE.
6. NO VOIDS ARE ALLOWED ON O-RING SEALING SURFACES, VOIDS SMALLER THAN $\phi 0.035$ [0.89] ARE ACCEPTABLE ON ALL OTHER SURFACES.
7. REF-OAL DOES NOT INCLUDE OVERFILL ON ATMOSPHERE SIDE OF HOUSING.
8. REF-PARTS ARE DEFLASHED ON PARTING LINE +0.003 [0.08] MAXIMUM.
9. DIMENSIONS ARE INCHES [millimeters].
10. PAVE-SEAL CAN BE A BI-DIRECTIONAL HERMETIC SEAL FOR VACUUM AND MOST PRESSURES. FOR PRESSURES ABOVE 150 PSI (10 BAR), CHECK WITH SALES ENGINEERING.

20	A/R	PARKER O-LUBE	LUBRICANT O-RING BARIUM-BASED
19	1	-016 BUNA	O-RING -016 BUNA 75
18	1	EE22 UL1180 YLW	WIRE 22EE UL1180 7/#30
17	1	EE22 UL1180 WHT	WIRE 22EE UL1180 7/#30
16	1	EE22 UL1180 VIO	WIRE 22EE UL1180 7/#30
15	1	EE22 UL1180 RED	WIRE 22EE UL1180 7/#30
14	1	EE22 UL1180 ORG	WIRE 22EE UL1180 7/#30
13	1	EE22 UL1180 GRY	WIRE 22EE UL1180 7/#30
12	1	EE22 UL1180 GRN	WIRE 22EE UL1180 7/#30
11	1	EE22 UL1180 BRN	WIRE 22EE UL1180 7/#30
10	1	EE22 UL1180 BLU	WIRE 22EE UL1180 7/#30
9	1	EE22 UL WHT/YEL	WIRE 22EE UL1180 7/#30
8	1	EE22 UL WHT/RED	WIRE 22EE UL1180 7/#30
7	1	EE22 UL BLK	WIRE 22EE UL1180 7/#30
6	1	EE22 UL WHT/GRN	WIRE 22EE UL1180 7/#30
5	1	EE22 UL WHT/BLU	WIRE 22EE UL1180 7/#30
4	1	EE22 UL WHT/BLK	WIRE 22EE UL1180 7/#30
3	A/R	URETHANE	URETHANE BLACK
2	A/R	PAVE-Seal 150	EPOXY BLACK
1	1	0130	HOUSING SPF12-E

ITEM QTY PART # DIMENSIONS AND TOLERANCES APPLY TO FINISHED PART IN INCHES
 ALLOWABLE TOLERANCES UNLESS SPECIFIED OTHERWISE: NONE +/- 0.5
 .X DECIMAL +/- 0.1 .XX DECIMAL +/- 0.02 .XXX DECIMAL +/- 0.005
 ANGLES +/- 1 DEG SURFACE FINISH 128 microinch RMS

PAVE technology co.
 2751 Thunderhawk Court
 Dayton, Ohio 45414-3445
 U.S.A.
 (937)890-1100
 fax (937)890-5165
 www.pavetechnologyco.com

DESCRIPTION PAVE-Seal® Cable Harnesses
SPF12-E-150-15-TEE22-13-13

PART NUMBER **1814**
 REVISION LEVEL **C**
 PROJECTION