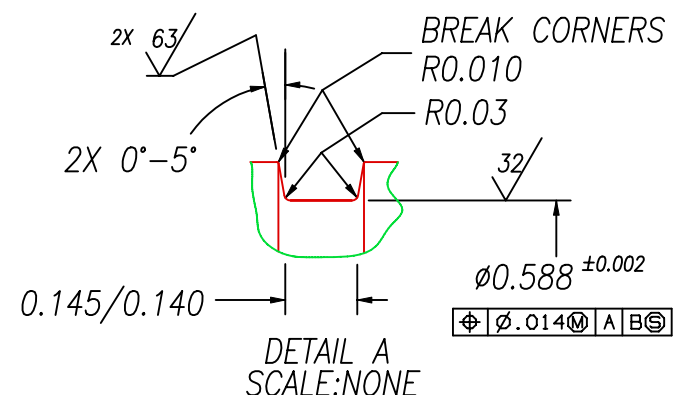
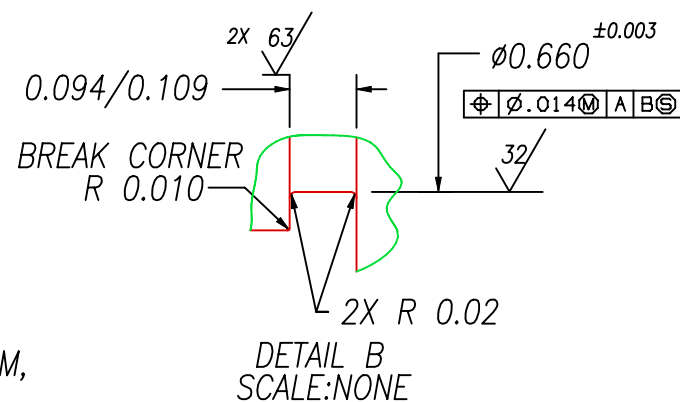
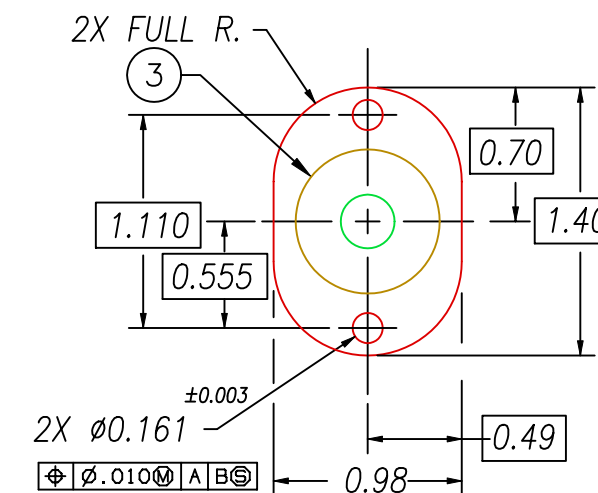
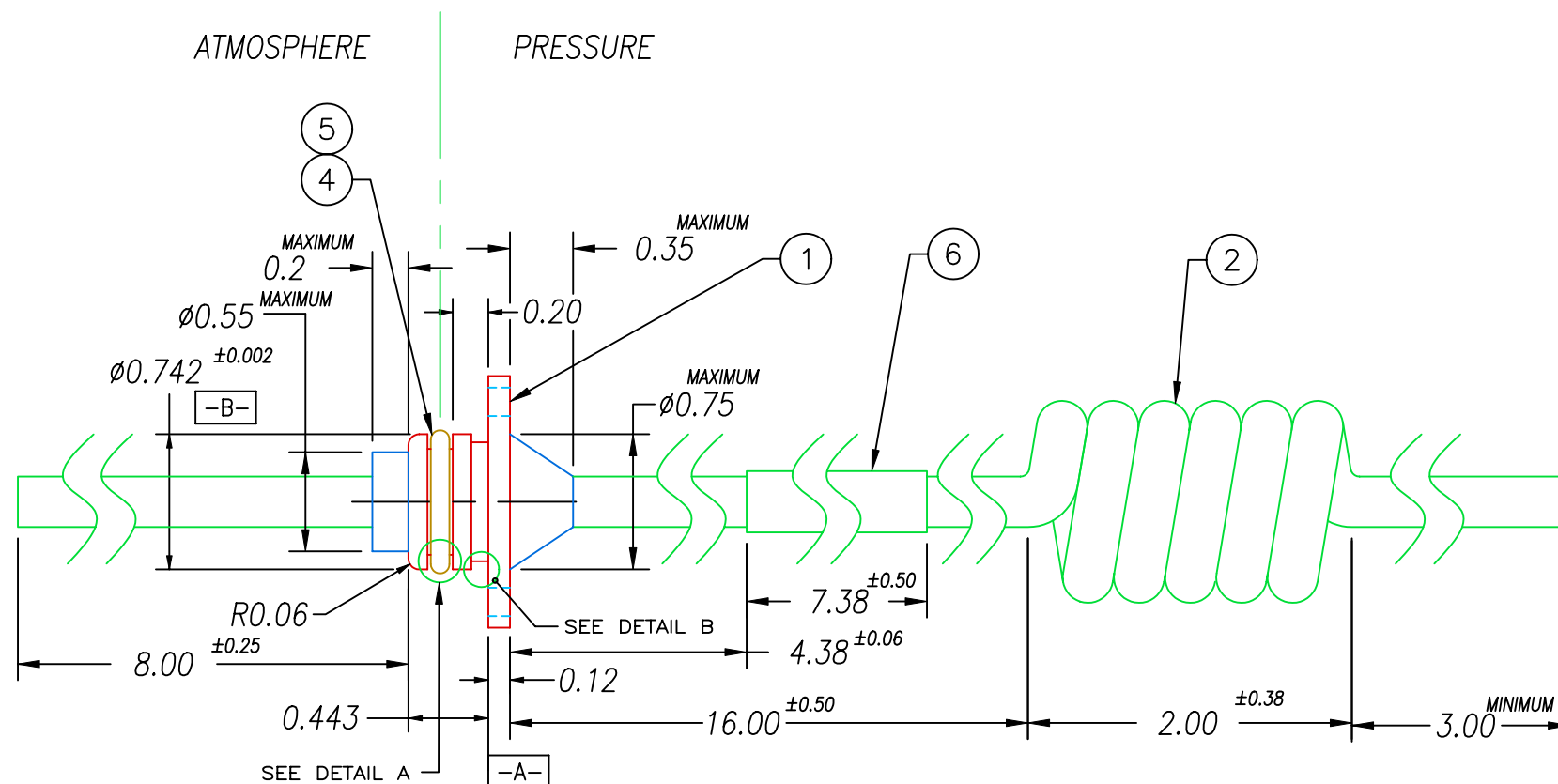
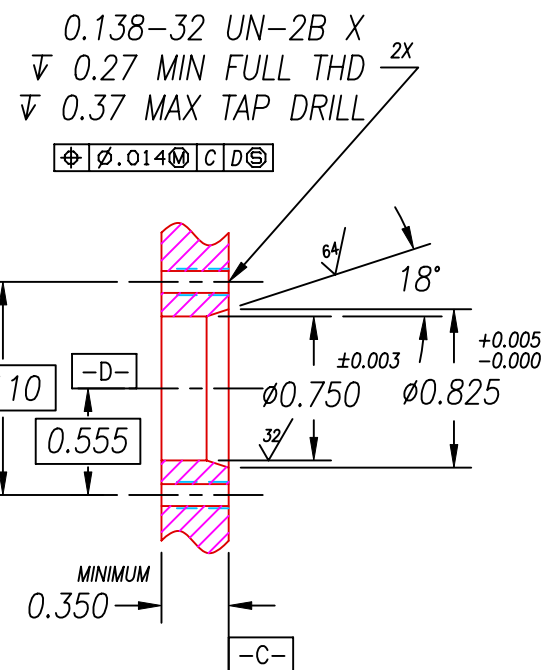


INSTALLATION PORT



NOTES:

1. HE LEAK TEST @ 1000 PSI 30 SECONDS MINIMUM, SNIFFER TEST 10^{-4} CC/S.
2. HYPOT 630 VDC 500 MΩ 0.01 SEC MINIMUM, WIRE TO WIRE & HOUSING.
3. CONTINUITY TEST: <math><0.5\Omega</math> SHIELD TO HOUSING & SHIELD END TO END.
4. ALL TESTS ARE PERFORMED AT ROOM TEMPERATURE.
5. ALL PARTS MUST PASS ALL TESTS.
6. CHECK INSTALLATION WITH ITEM 4, -908 BUNA 70 O-RING IN "DETAIL B" GROOVE & (2) 0.138-32 X 0.25 SCREWS.

6	7.38"	FIT-300-3/8	TUBING SHRINK POLYOLEFIN 3/8" 3:1
5	A/R	PARKER O-LUBE	LUBRICANT O-RING BARIUM-BASED
4	1	-113 BUNA	O-RING -113 BUNA 70
3	A/R	PAVE-Seal 150	EPOXY BLACK
2	1	MEYER CABLE	#FC-LJH2-DAETA01 (PRE-CUT & COILED)
1	1	2164	HOUSING FL12-AL (ANODIZED 6061-T651)
ITEM	QTY	PART#	DESCRIPTION

ALL DIMENSIONS AND TOLERANCES APPLY TO FINISHED PART IN INCHES
 ALLOWABLE TOLERANCES UNLESS SPECIFIED OTHERWISE: NONE +/-0.5
 .X DECIMAL +/- 0.1 .XX DECIMAL +/- 0.02 .XXX DECIMAL +/-0.005
 ANGLES +/- 1 DEG SURFACE FINISH 128 microinch RMS



DESCRIPTION PAVE-Seal@ Cable Harnesses
 FL12-AL-150-9C/PP23-12-33

PART NUMBER

2281

REVISION LEVEL

G

PROJECTION

