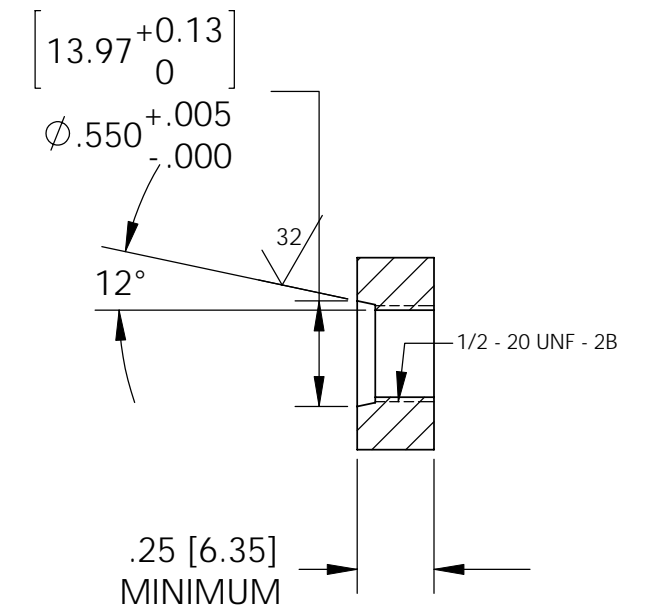


INSTALLATION PORT



8	A/R	PARKER O-LUBE	LUBRICANT O-RING BARIUM-BASED
7	1	-905 VITON	O-RING -905 VITON 75
6	1	E24 GRAY	WIRE 24E MIL-W-16878/4 7/#32
5	1	E24 VIOLET	WIRE 24E MIL-W-16878/4 7/#32
4	1	E24 WHITE	WIRE 24E MIL-W-16878/4 7/#32
3	1	E24 BLACK	WIRE 24E MIL-W-16878/4 7/#32
2	A/R	PAVE-Seal 150	EPOXY BLACK
1	1	2960	HOUSING SO8-SS HEX PRESSURE
ITEM	QTY	PART NUMBER	DESCRIPTION

PAVE technology co.
 2751 Thunderhawk Court
 Dayton, OH 45414-3445
 U.S.A.
 tel (937) 890-1100
 fax (937) 8905165
 www.pavetechnologyco.com

DESCRIPTION
 SO8-SS-150-4-TE24-6-6

PART NUMBER: 2942
 MATERIAL: NOTED
 REVISION LEVEL: A
 PROJECTION:

ALL DIMENSIONS AND TOLERANCES APPLY TO FINISHED PART IN INCHES.
 ALLOWABLE TOLERANCES UNLESS SPECIFIED OTHERWISE: NONE ±0.5
 X.X DECIMAL ±0.1 X.XX DECIMAL ±0.02 X.XXX DECIMAL ±0.005
 ANGLES ±1 DEGREE SURFACE FINISH 128 microinch RMS