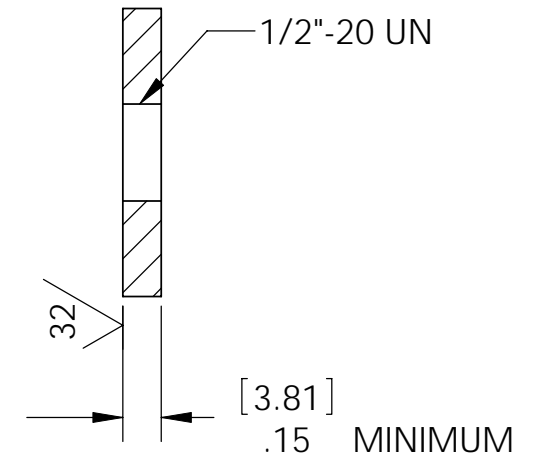


VS8 INSTALLATION PORT



IPD1-02-D POSITION	IPD1-05-S POSITION	WIRE COLOR
1	1	RED
2	2	WHITE
3	3	BLUE
4	4	BLACK
N/A	5	N/A

NOTES:

1. LEAK TEST: 80 PSI, NO BUBBLES 2 MINUTES MINIMUM.
2. HYPOT 630 VDC 500 MEGOHMS MINIMUM 0.01 SECOND MINIMUM WIRE TO WIRE AND HOUSING.
3. CONTINUITY TEST <1.5 Ohm MATING CONNECTOR TO MATING CONNECTOR EACH WIRE.
4. ALL TESTS ARE PERFORMED AT ROOM TEMPERATURE.
5. ALL PARTS MUST PASS ALL TESTS.
6. WIRE POSITIONING IS APPROXIMATE & VARIABLE.
7. VOIDS SMALLER THAN $\phi 0.035$ ARE ACCEPTABLE.
8. DIMENSION IS OVER-ALL-LENGTH EXCLUDING OVERFILL ON BOTH SIDES OF HOUSING.
9. REF-OPERATING TEMPERATURE -40°C TO 85°C .
10. PAVE-SEAL CAN BE A BI-DIRECTIONAL HERMETIC SEAL FOR VACUUM AND MOST PRESSURES. FOR PRESSURES ABOVE 150 PSI (10 BAR), CHECK WITH SALES ENGINEERING.
11. DIMENSIONS ARE INCHES [millimeters].

10	8	CC79L-2024-01-L	CONTACT SOCKET TIN PLATED IPD1 SERIES SAMTEC
9	1	-112 SILICONE	O-RING -112 SILICONE S1224-70
8	1	IPD1-02-D	CONNECTOR 4PIN DOUBLE ROW SAMTEC
7	1	IPD1-05-S	CONNECTOR 5PIN SINGLE ROW SAMTEC
6	1	EE22 MIL RED	MIL-W-16878/5 .015 7/#30
5	1	EE22 MIL BLK	MIL-W-16878/5 .015 7/#30
4	1	EE22 MIL BLUE	MIL-W-16878/5 .015 7/#30
3	1	EE22 MIL WHITE	MIL-W-16878/5 .015 7/#30
2	A/R	PAVE-Seal 150	EPOXY BLACK
1	1	0892-ALNP	HOUSING VS8-AL NICKEL PLATED
ITEM	QTY	PART NUMBER	DESCRIPTION

PAVE technology co.
 2751 Thunderhawk Court
 Dayton, OH 45414-3445
 U.S.A.
 tel (937) 890-1100
 fax (937) 8905165
 www.pavetechnologyco.com

DESCRIPTION
 VS8-AL-150-4-TEE22-200T-305mmT

PART NUMBER
3734

MATERIAL NOTED

REVISION LEVEL
 D

PROJECTION

ALL DIMENSIONS AND TOLERANCES APPLY TO FINISHED PART IN INCHES.
 ALLOWABLE TOLERANCES UNLESS SPECIFIED OTHERWISE: NONE ± 0.5
 X.X DECIMAL ± 0.1 X.XX DECIMAL ± 0.02 X.XXX DECIMAL ± 0.005
 ANGLES ± 1 DEGREE SURFACE FINISH 128 microinch RMS