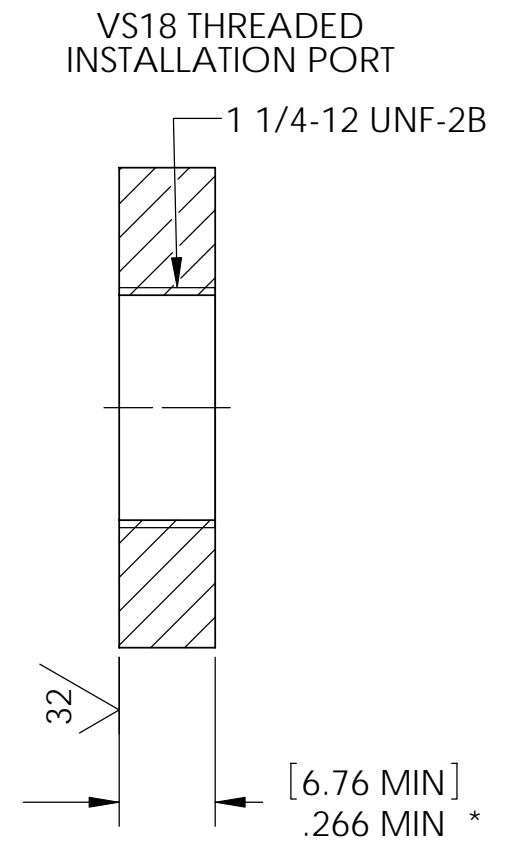
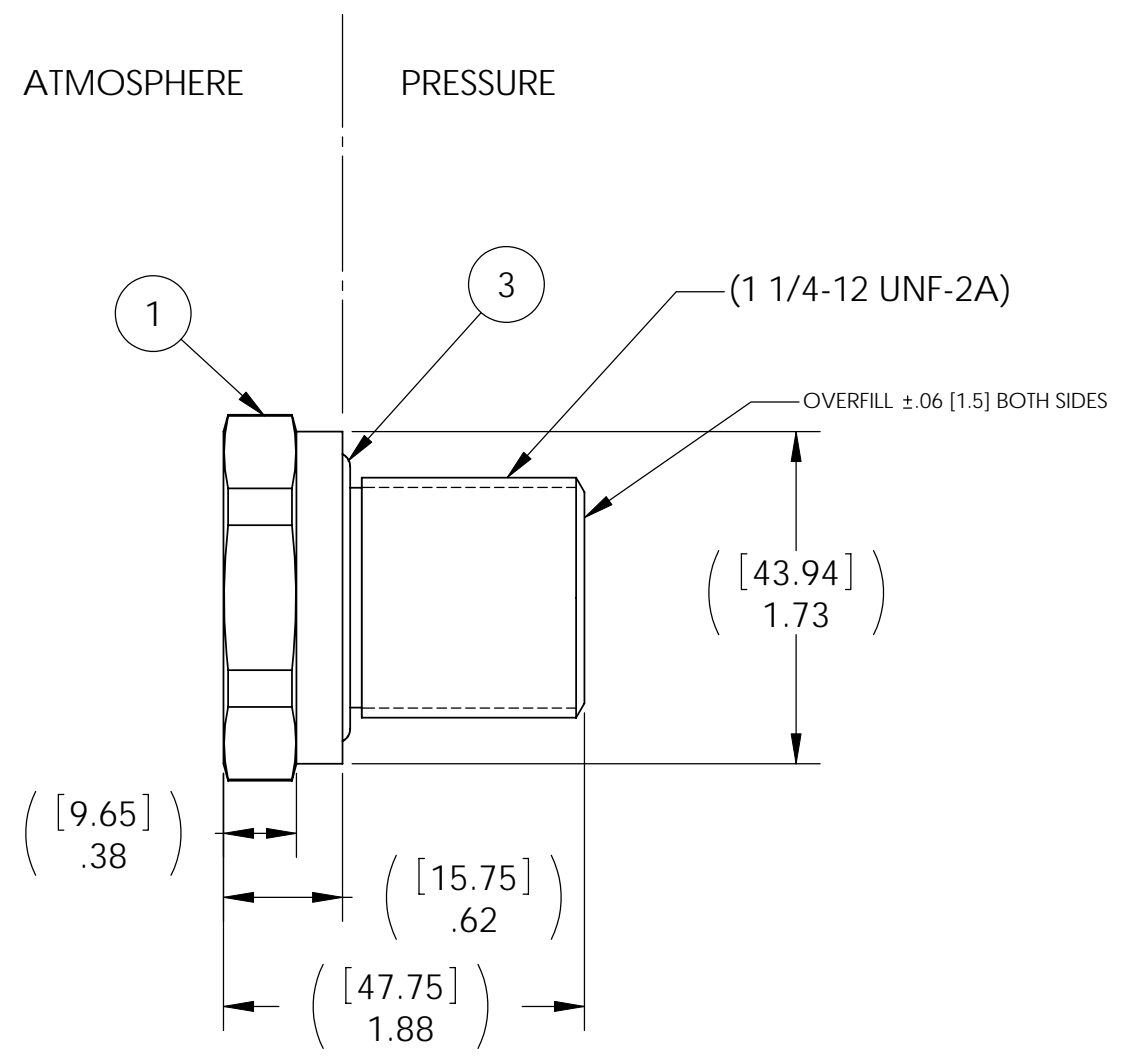
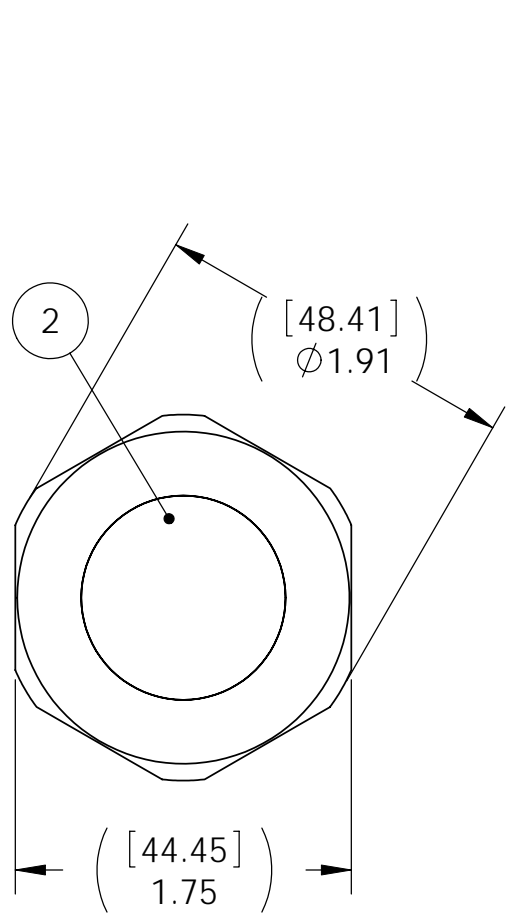


ISSUE LET.	ALTERATIONS	CHANGED BY	DATE



- NOTES:**
1. LEAK TEST: 1000 PSI, NO BUBBLES 15 SECONDS MINIMUM.
 2. ALL TESTS ARE PERFORMED AT ROOM TEMPERATURE.
 3. ALL PARTS MUST PASS ALL TESTS.
 4. VOIDS SMALLER THAN ϕ .035 ARE ACCEPTABLE.
 5. REF-OPERATING TEMPERATURE -40 °C TO 107 °C.
 6. DIMENSIONS ARE INCHES [millimeters].
 7. PAVE-SEAL CAN BE A BI-DIRECTIONAL HERMETIC SEAL FOR VACUUM AND MOST PRESSURES. FOR PRESSURES ABOVE 150 PSI (10 BAR), CHECK WITH SALES ENGINEERING.

PAVE will meet the assembly and test specifications of the customer as documented on this assembly drawing. Any changes must be approved by PAVE.

PAVE technology co.
 2751 Thunderhawk Court
 Dayton, OH 45414-3445
 U.S.A.
 tel (937) 890-1100
 fax (937) 8905165
 www.pavetechnologyco.com

DESCRIPTION		
VS18-SS-150-PLUG		
MATERIAL		
NOTED		
DR. BY	APPROVED BY	DRAWN FROM
MBN		NAVDIV
CH'D BY	DATE	SCALE
	22 APR 10	1:1
PART NUMBER	1	REVISION LEVEL
3852		2
		PROJECTION

ITEM	QTY	PART NUMBER	DESCRIPTION
3	1	-219 NITRILE LT	O-RING -219 NITRILE N0304-75
2	A/R	PAVE-Seal 150	EPOXY BLACK
1	1	0660	HOUSING VS18-SS

FINISH

ALL DIMENSIONS AND TOLERANCES APPLY TO FINISHED PART IN INCHES.
 ALLOWABLE TOLERANCES UNLESS SPECIFIED OTHERWISE: NONE ±0.5
 X.X DECIMAL ±0.1 X.XX DECIMAL ±0.02 X.XXX DECIMAL ±0.005
 ANGLES ±1 DEGREE SURFACE FINISH 128 microinch RMS