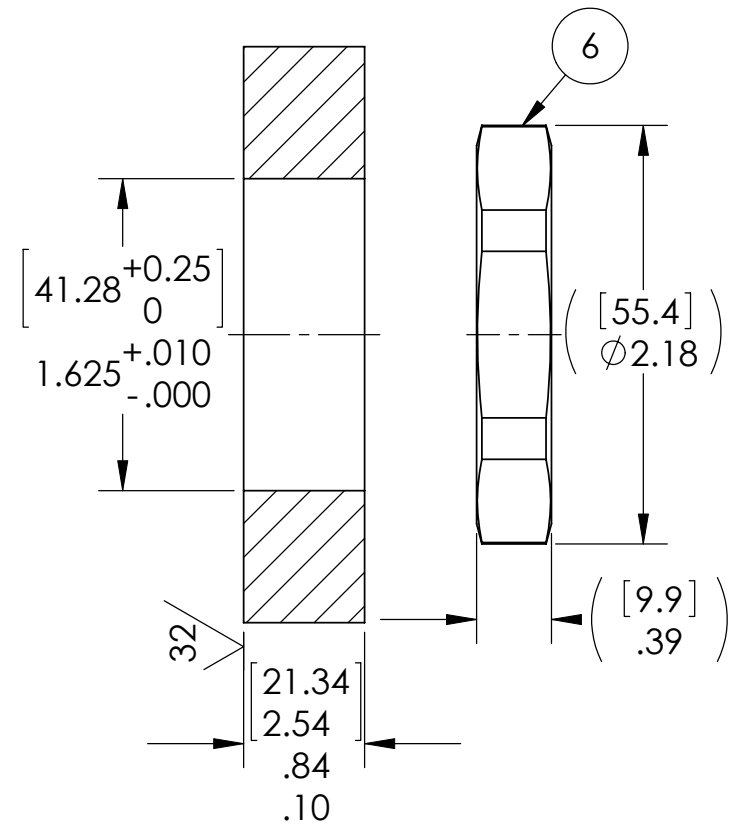


VS22 INSTALLATION PORT



NOTES:

1. HE LEAK TEST VACUUM 10X10⁻⁹ CC/SEC OR LESS.
2. HYPOT 630 VDC 500 MEGOHMS MINIMUM 0.01 SECOND MINIMUM WIRE TO WIRE AND HOUSING.
3. CONTINUITY TEST: <91.6 mΩ WIRE END TO WIRE END.
4. ALL TESTS ARE PERFORMED AT ROOM TEMPERATURE.
5. ALL PARTS MUST PASS ALL TESTS.
6. WIRE POSITIONING IS APPROXIMATE & VARIABLE.
7. COSMETIC SURFACE VOIDS SMALLER THAN Ø0.035 [89] ARE ACCEPTABLE.
8. REF-OPERATING TEMPERATURE -20°C TO 125°C.
9. PAVE-SEAL CAN BE A BI-DIRECTIONAL HERMETIC SEAL FOR VACUUM AND MOST PRESSURES. FOR PRESSURES ABOVE 150 PSI (10 BAR), CHECK WITH SALES ENGINEERING.
10. DIMENSIONS ARE INCHES [millimeters].
11. ALCOHOL OR FOMBLIN YVAC 3 MAY BE USED TO LUBE O-RINGS FOR VACUUM HELIUM LEAK TESTING.

6	1	0199	NUT VS22-SS
5	1	-224 VITON	O-RING -224 VITON 75
4	12	TZZ10 BLACK	WIRE TZZ10 MIL-W-22759/16-10-0
3	12	PC10 UL1015 BLK	WIRE 10PVC UL1015 .032
2	A/R	PAVE-Seal 150	EPOXY BLACK
1	1	0189/304SS	HOUSING VS22-SS
ITEM	QTY	PART NUMBER	DESCRIPTION

PAVE technology co.
 2751 Thunderhawk Court
 Dayton, OH 45414-3445
 U.S.A.
 tel (937) 890-1100
 fax (937) 8905165
 www.pavetechnologyco.com

DESCRIPTION VS22-SS-150-12-PC10/TZ10-40FT-30FT	
PART NUMBER 4431	MATERIAL NOTED REVISION LEVEL A
PROJECTION ⊙ ◁	

ALL DIMENSIONS AND TOLERANCES APPLY TO FINISHED PART IN INCHES.
 ALLOWABLE TOLERANCES UNLESS SPECIFIED OTHERWISE: NONE ±0.5
 X.X DECIMAL ±0.1 X.XX DECIMAL ±0.02 X.XXX DECIMAL ±0.005
 ANGLES ±1 DEGREE SURFACE FINISH 128 microinch RMS