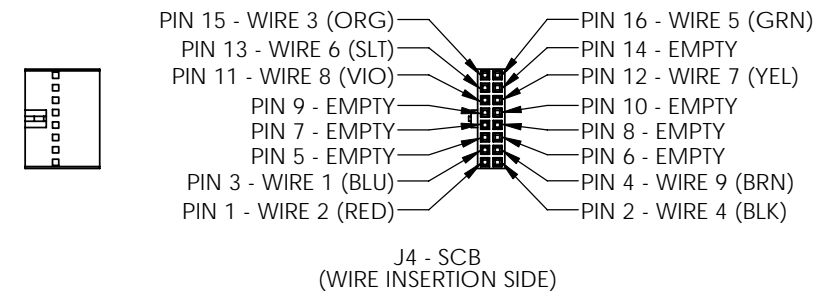
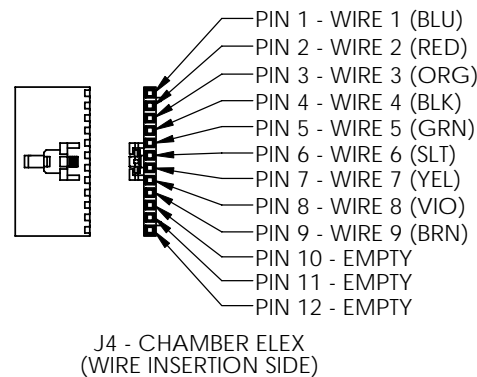
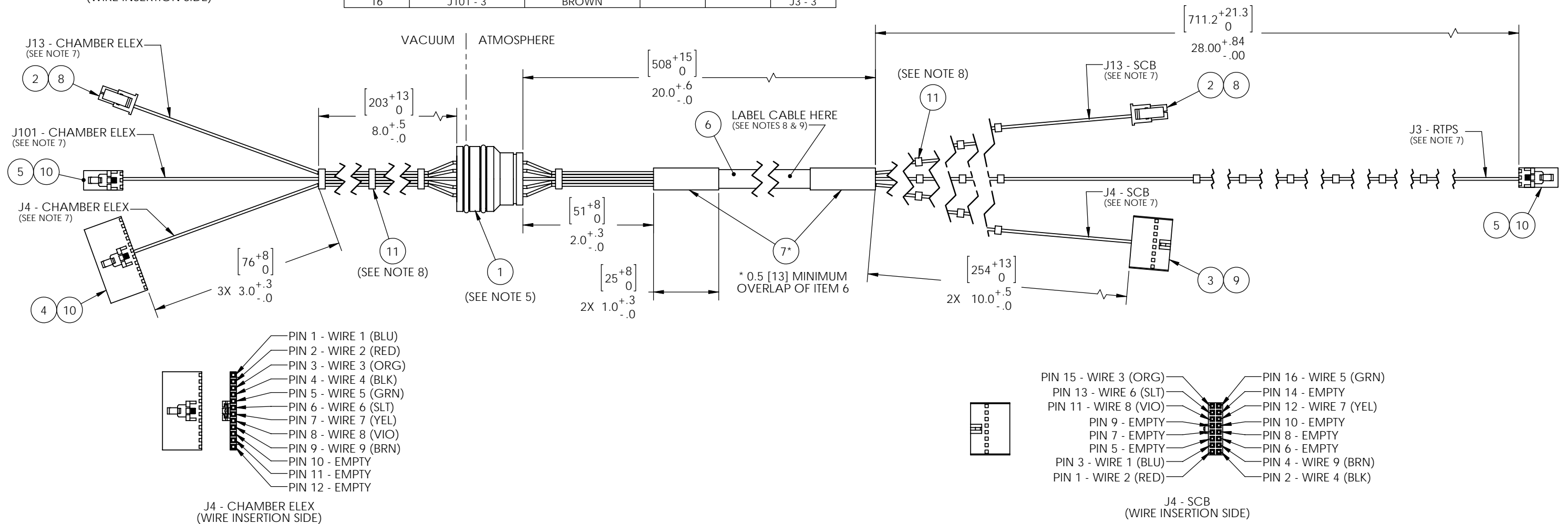
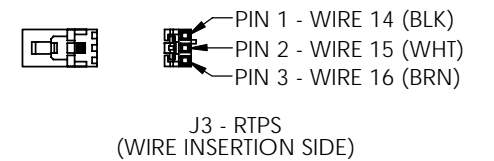
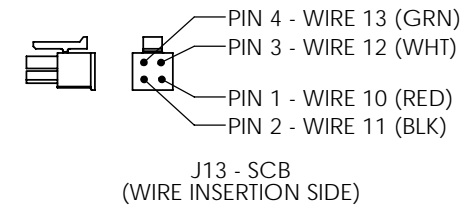


WIRE NO.	CHAMBER ELEX CONN - PIN	WIRE COLOR	J4 - SCB	J13 - SCB	J3 - RTPS
1	J4 - 1	BLUE	J4 - 3		
2	J4 - 2	RED	J4 - 1		
3	J4 - 3	ORANGE	J4 - 15		
4	J4 - 4	BLACK	J4 - 2		
5	J4 - 5	GREEN	J4 - 16		
6	J4 - 6	SLATE	J4 - 13		
7	J4 - 7	YELLOW	J4 - 12		
8	J4 - 8	VIOLET	J4 - 11		
9	J4 - 9	BROWN	J4 - 4		
10	J13 - 1	RED		J13 - 1	
11	J13 - 2	BLACK		J13 - 2	
12	J13 - 3	WHITE		J13 - 3	
13	J13 - 4	GREEN		J13 - 4	
14	J101 - 1	BLACK			J3 - 1
15	J101 - 2	WHITE			J3 - 2
16	J101 - 3	BROWN			J3 - 3



NOTES:

- HYPOT 630 VDC 500 MEGOHMS MINIMUM 0.01 SECOND MINIMUM WIRE TO WIRE WITH MATING CONNECTORS.
- ALL CIRCUITS MUST HAVE CONTINUITY, NO OPEN CIRCUITS.
- ALL TESTS ARE PERFORMED AT ROOM TEMPERATURE, ALL PARTS MUST PASS ALL TESTS.
- CERTIFICATE OF COMPLIANCE IS REQUIRED UNLESS CABLE IS PRODUCED UNDER THE RECOGNITION OF UL/CSA AND SO MARKED.
- REFERENCE PAVE DRAWING# 4810 FOR COMPLETE FEEDTHRU ASSEMBLY (ITEM 1) DETAILS.
- FINISHED PART SHALL BE CLEAN, DRY, (NO OIL OR OTHER RESIDUES). EXCEPTION: VACUUM GREASE ALLOWED ON O-RINGS OF ITEM 1.
- LABEL WITH REFERENCE DESIGNATOR AND DESCRIPTION (EG. J13-CHAMBER ELEX, J101-CHAMBER ELEX, J4-CHAMBER ELEX, J13-SCB, J3-RTPS, J4-SCB) WHERE SHOWN USING ITEM 12.
- TIE WRAP PER BCI DOCUMENT A18080. EXCEPTION: DO NOT TIE WRAP OVER ITEM 6.
- LABEL CABLE PER BCI DOCUMENT A18080 WHERE SHOWN USING ITEM 12. REF-INFORMATION ON LABEL INCLUDES: BCI PART NUMBER, BCI REVISION, MANUFACTURING DATE CODE, PAVE TECHNOLOGY CO., AND 67744 (PAVE CAGE CODE).
- WORKMANSHIP SHALL BE PER BCI DOCUMENT A18080.
- PART SHALL MEET THE PRODUCT ENVIRONMENTAL COMPLIANCE (PEC) REQUIREMENTS OF BCI DOCUMENT A80946.
- CONNECTOR PINOUT VIEWS ARE FROM THE INSERTION SIDE OF THE CONNECTOR.
- DIMENSIONS ARE INCHES [millimeters].

ITEM	QTY	PART NUMBER	DESCRIPTION
12	7	S100X150YAJ	LABEL SELF-LAMINATING WHITE POLYESTER 1" WIDE BY 1.5" LONG PANDUIT OR EQUAL
11	A/R	PLT1M-M	CABLE TIE NYLON 6.6 NATURAL 99mmX2.5mm 18# TENSILE MS3367-4-9 PANDUIT OR EQUAL
10	15	16-02-0102 OR -0086	CONTACT SOC SL (SERIES 70058) TIN PLATED PHOSPHOR BRONZE 22-24AWG CRIMP
9	9	90119-0110 OR -2110	CONTACT SOC C-GRID III Au PLATED PHOSPHOR BRONZE 22-24AWG CRIMP
8	8	43030-0009 OR -0003	CONTACT SOC MICRO-FIT 3.0 Au PLATED PHOSPHOR BRONZE 20-24AWG CRIMP
7	A/R	FIT-221B-3/8	TUBING SHRINK 2:1 XLPO .375"ID X .025"WALL BLACK
6	A/R	PTN0.25	SLEEVING BRAIDED FLEXO PET .25"ID BLACK
5	2	50-57-9403	CONNECTOR HSG MOLEX SL VERSION G SINGLE ROW 3 POS
4	1	50-57-9412	CONNECTOR HSG MOLEX SL VERSION G SINGLE ROW 12 POS
3	1	90142-0016	CONNECTOR HSG MOLEX C-GRID III DUAL ROW 16 POS
2	2	43025-0400	CONNECTOR RCPT MOLEX MICRO-FIT 3.0 DUAL ROW 4 POS
1	1	4810	SP16-E-150-16-MPPE24-12-50

PAVE technology co.
 2751 Thunderhawk Court
 Dayton, OH 45414-3445
 U.S.A.
 tel (937) 890-1100
 fax (937) 8905165
 www.pavetechnologyco.com

DESCRIPTION: PAVE-Seal® Cable Harnesses
 SP16-E-150-16-MPPE24-11T-48T

MATERIAL: NOTED

PART NUMBER: 4806

REVISION LEVEL: A

PROJECTION:

ALL DIMENSIONS AND TOLERANCES APPLY TO FINISHED PART IN MILLIMETERS.
 ALLOWABLE TOLERANCES UNLESS SPECIFIED OTHERWISE: NONE ±0.700,
 X.X DECIMAL ±0.540, X.XX DECIMAL ±0.508, X.XXX DECIMAL ±0.127,
 ANGLES ±1 DEGREE SURFACE FINISH 128 microinch RMS