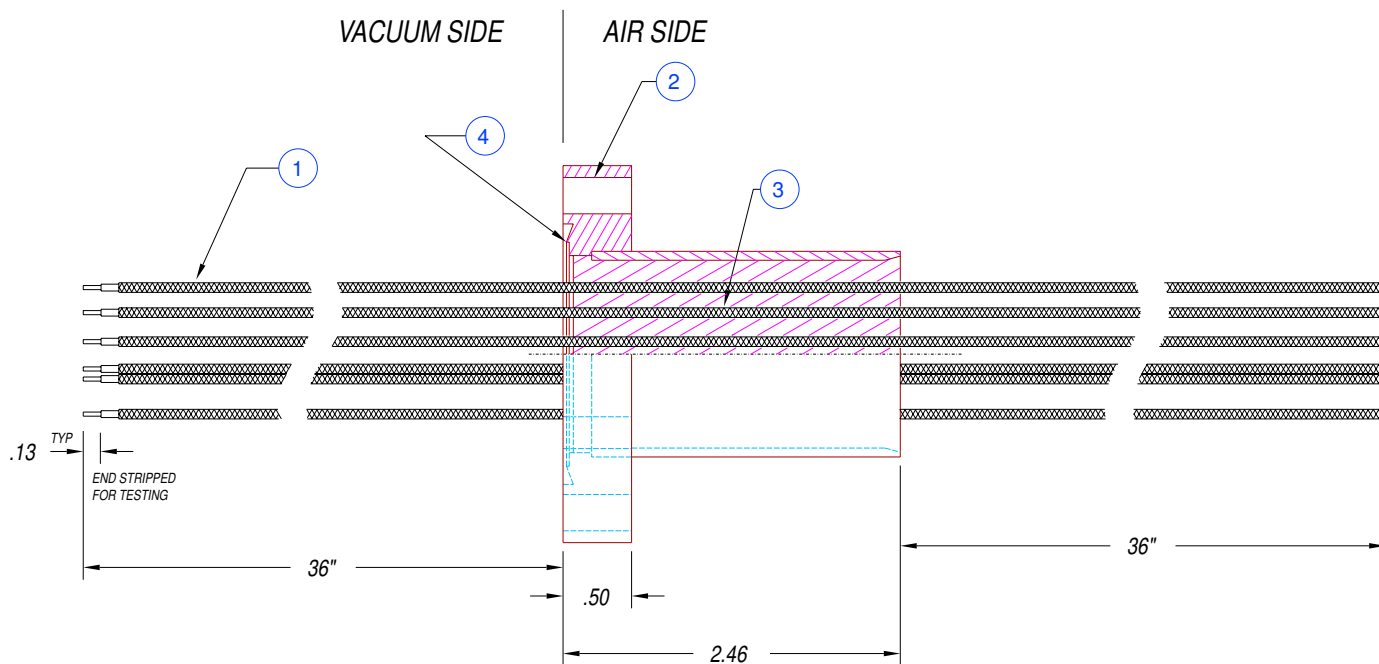
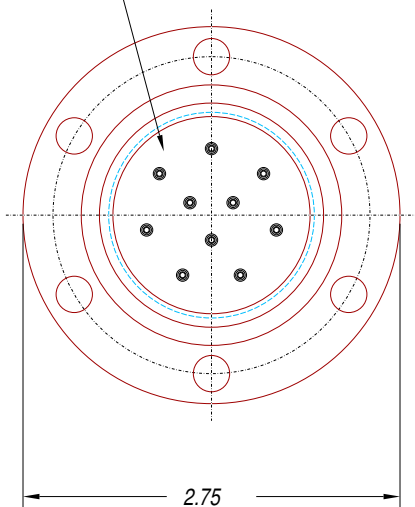



APPROXIMATE WIRE LOCATIONS



NOTES:

1. ELECTRICAL TEST: 3000 VAC, .5mA MAX, WIRE TO WIRE, SHIELDS, & HOUSING.
2. He LEAK TEST: UNIT TO TEST BETTER THAN 1×10^{-8} cc/sec @ 1 ATM.
3. ASSEMBLY TO SHIP WITH COPPER GASKET USED FOR HELIUM TEST FROM NOTE 2.

4	1	NOR-CAL #G-275	GASKET, COPPER (NOT SHOWN)	SEE NOTE 3
3	A/R	PAVESEAL 150	EPOXY	
2	1	PAVE 1473	$\phi 2.75$ CON-FLAT HOUSING-SS	
1	10	HIGH VOLTAGE CABLE	CUSTOMER SUPPLIED COAX CABLE	
ITEM	QTY	PART NUMBER	DESCRIPTION	


 2751 Thunderhawk Court
 Dayton, Ohio 45414-3445
 U.S.A.
 (937)890-1100
 fax (937)890-5165
 www.pavetechnologyco.com

TITLE OR PAVE ORDER CODE
CF275-SS-150-10-HVC-36-36

PART NUMBER
1470

PROJECTION
