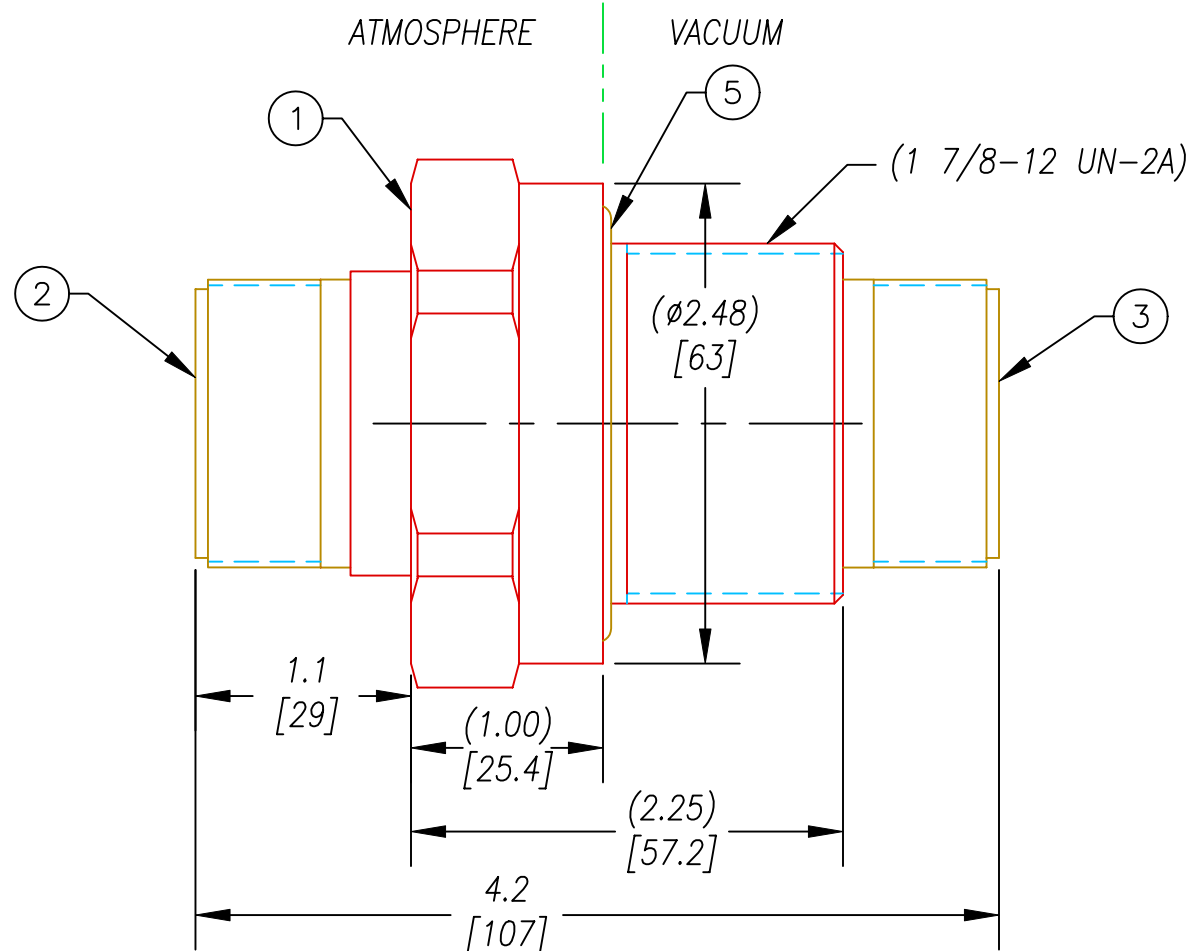
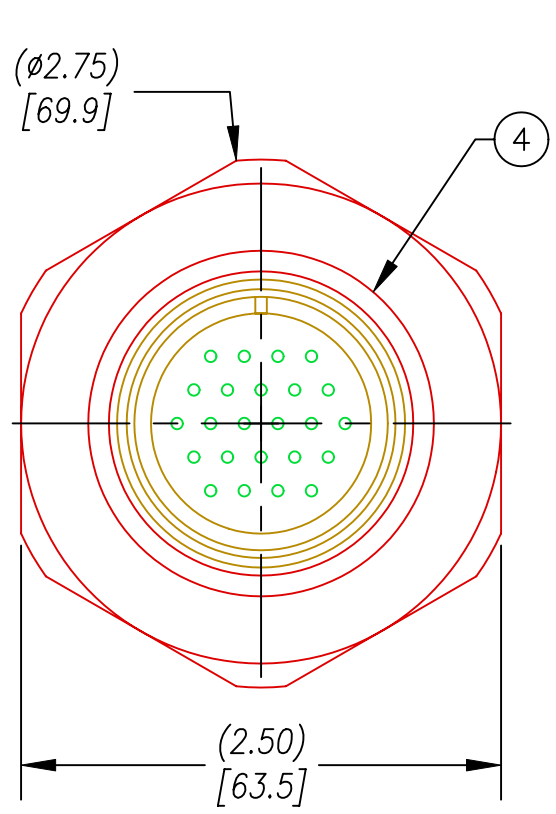
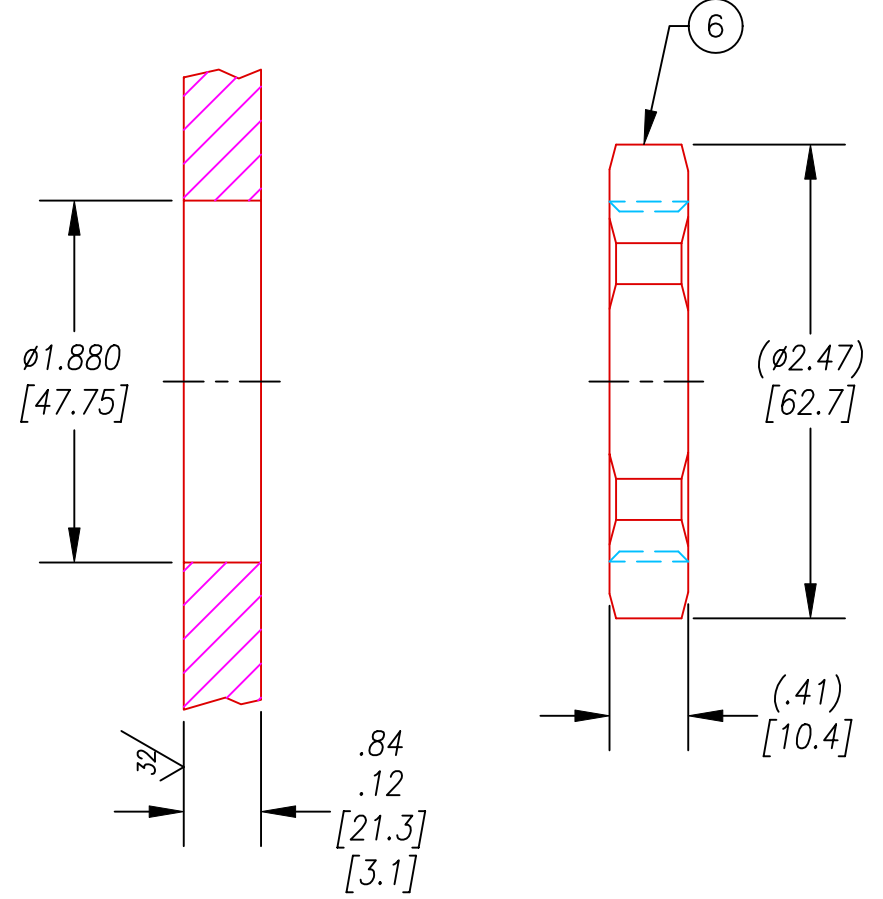


1482Y	VS26-SS-150-24-16-3102PSY	SCP02YM24-28PY	SCP02YM24-28SY	SCP06DM24-28PY	SCP06DM24-28SY
1482X	VS26-SS-150-24-16-3102PSX	SCP02YM24-28PX	SCP02YM24-28SX	SCP06DM24-28PX	SCP06DM24-28SX
1482W	VS26-SS-150-24-16-3102PSW	SCP02YM24-28PW	SCP02YM24-28SW	SCP06DM24-28PW	SCP06DM24-28SW
1482NP	VS26-SS-150-24-16-3102PS	PV3102A24-28P	PV3102A24-28S	NA	NA
1482	VS26-SS-150-24-16-3102PS	PV3102A24-28P	PV3102A24-28S	PV3106A24-28P	SC3106A24-28S
PART#	DESCRIPTION	ITEM# 2	ITEM# 3	ITEM# 7	ITEM# 8



VS26 INSTALLATION PORT



- NOTES:
- HE LEAK TEST @1 ATM.  $10 \times 10^{-7}$  CC/S OR LESS.
  - HYPOT 630 VDC 500 MΩ 0.01 SEC MINIMUM, PIN TO PIN & HOUSING WITH MATING CONNECTORS.
  - CONTINUITY TEST < 0.5 Ω PIN TO SOCKET WITH MATING CONNECTORS.
  - ALL TESTS ARE PERFORMED AT ROOM TEMPERATURE.
  - ALL PARTS MUST PASS ALL TESTS.
  - COSMETIC SURFACE VOIDS SMALLER THAN  $\phi.035$  [0.89] ARE ACCEPTABLE.
  - FOR PART NUMBERS 1482, 1482W, 1482X, & 1482Y ITEMS 7 & 8 (& 9 FOR 1482) ARE INCLUDED BUT NOT SHOWN.
  - FOR PART NUMBERS 1482W, 1482X, & 1482Y ITEM 9 IS NOT INCLUDED, BUT ITEMS 7 & 8 DO INCLUDE A STRAIN RELIEF.
  - FOR PART NUMBER 1482NP ITEMS 7, 8 & 9 ARE NOT INCLUDED.
  - DIMENSIONS ARE INCHES [millimeters].
  - PAVE-SEAL CAN BE A BI-DIRECTIONAL HERMETIC SEAL FOR VACUUM AND MOST PRESSURES. FOR PRESSURES ABOVE 150 PSI (10 BAR), CHECK WITH SALES ENGINEERING.

9	2	MS3057-16AN	SEE NOTES 7, 8 & 9	STRAIN RELIEF 5015 SHELL 24
8	1	SEE TABLE	SEE NOTES 7, 8 & 9	PLUG 24#16 SOC NICKEL PLATED ALUMINUM SHELL, BLACK NEOPRENE INSERT
7	1	SEE TABLE	SEE NOTES 7, 8 & 9	PLUG 24#16 PIN NICKEL PLATED ALUMINUM SHELL, BLUE DIALLYL PHTHALATE INSERT
6	1	0185		NUT VS26-SS
5	1	-226 VITON		O-RING -226 VITON 75
4	A/R	PAVE-Seal 150		EPOXY BLACK
3	1	SEE TABLE		RCPT 24#16 SOC NICKEL PLATED ALUMINUM SHELL, BLUE DIALLYL PHTHALATE INSERT
2	1	SEE TABLE		RCPT 24#16 PIN NICKEL PLATED ALUMINUM SHELL, BLUE DIALLYL PHTHALATE INSERT
1	1	1531		HOUSING VS26-SS
ITEM	QTY	PART#		DESCRIPTION

ALL DIMENSIONS AND TOLERANCES APPLY TO FINISHED PART IN INCHES  
ALLOWABLE TOLERANCES UNLESS SPECIFIED OTHERWISE: NONE +/-0.5  
.X DECIMAL +/- 0.1 .XX DECIMAL +/- 0.02 .XXX DECIMAL +/-0.005  
ANGLES +/- 1 DEG SURFACE FINISH 128 microinch RMS

2751 Thunderhawk Court  
Dayton, Ohio 45414-3445  
U.S.A.  
(937)890-1100  
fax (937)890-5165  
www.pavetechnologyco.com

**PAVE technology co.**

DESCRIPTION PAVE-Mate® I Connectors  
**SEE TABLE**

PART NUMBER \*SEE TABLE  
**1482\***

REVISION LEVEL **E**

PROJECTION