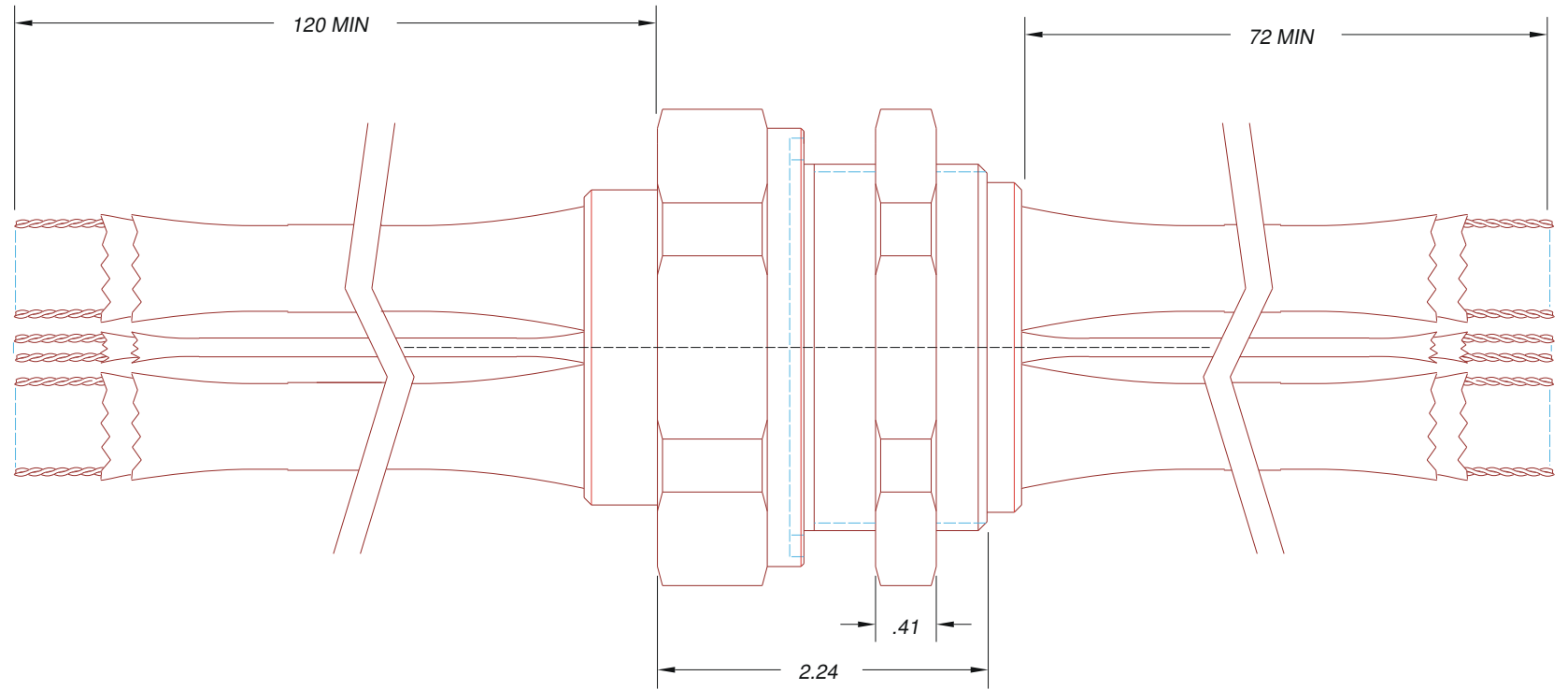


○ 20 AWG TP

⊕ 22 AWG TP

⊖ 24 AWG TP



NOTES:

1. HELIUM LEAK TEST: 1 ATMOSPHERE, < 1 X 10⁻⁸ CC/SEC

2. HYPOT 630 VDC, 500 MegaOhms, .01 SEC MIN. , ALL WIRES, BRAID & HOUSING



TITLE OR PAVE ORDER CODE

VS32-SS-150-110TP-TE24/22/20

PART NUMBER

1497

PROJECTION

