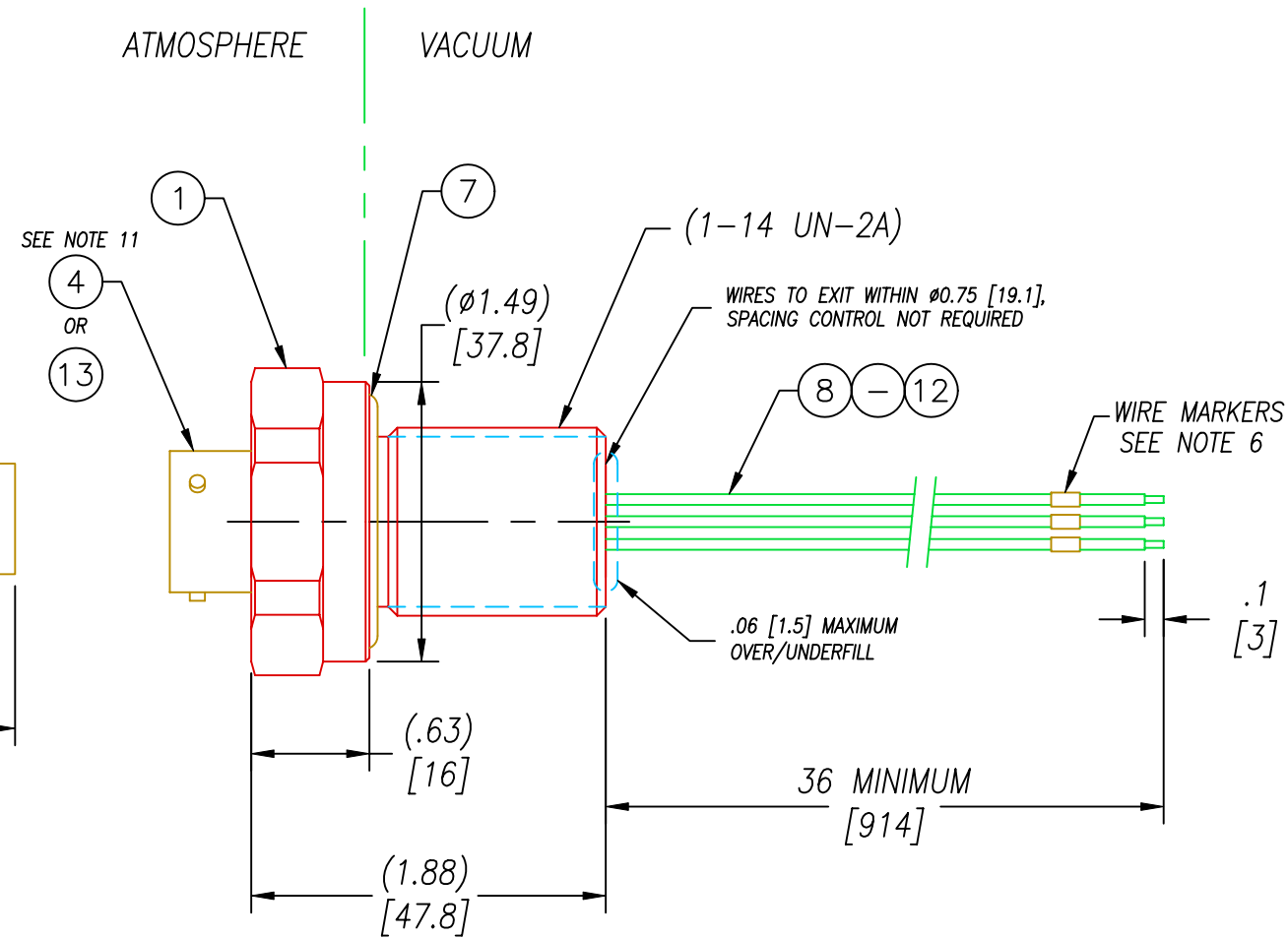
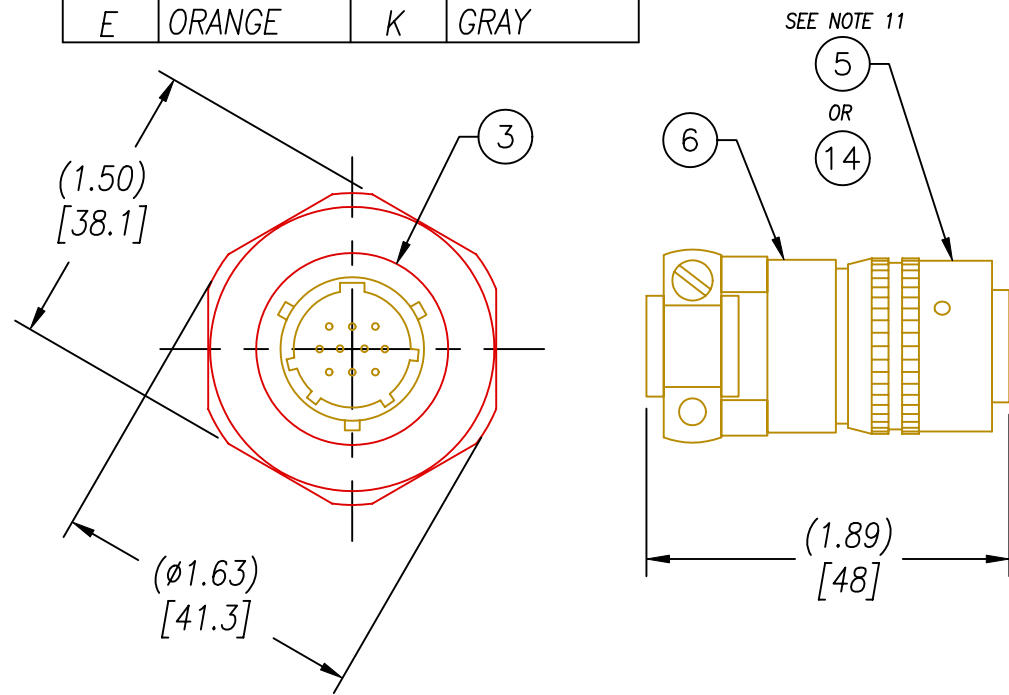
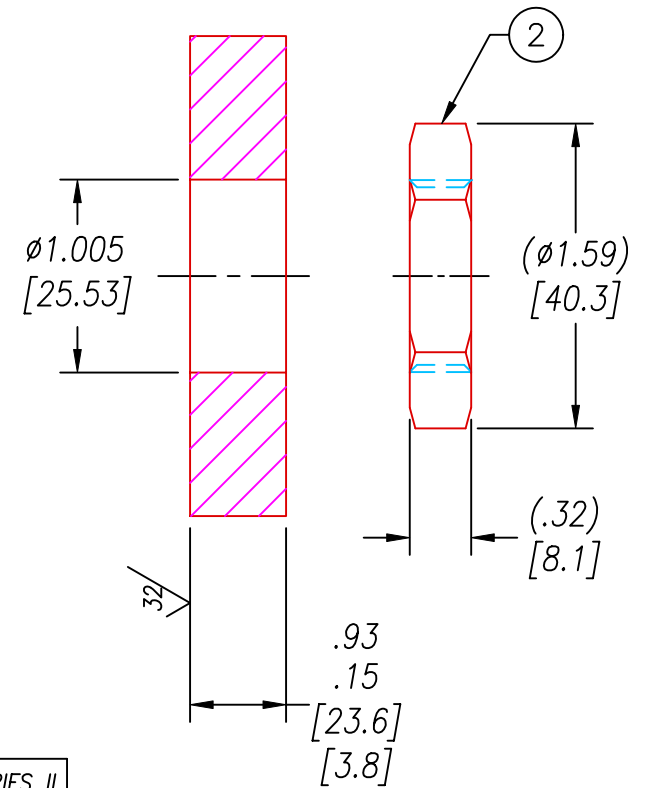


RECEPTACLE PIN OUT TABLE

PIN	COLOR	PIN	COLOR
A	ORANGE	F	GREEN
B	YELLOW	G	GRAY
C	WHITE	H	YELLOW
D	GREEN	J	WHITE
E	ORANGE	K	GRAY



VS15L INSTALLATION PORT

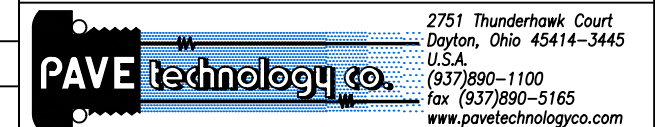


NOTES:

- HE LEAK TEST @1 ATM. 10×10^{-8} CC/S OR LESS.
- HYPOT 630 VDC 500 MEGOHMS .01 SEC MINIMUM, WIRE TO WIRE & HOUSING WITH MATING CONNECTOR.
- CONTINUITY TEST PIN TO WIRE ENDS < 1Ω WITH MATING CONNECTOR.
- ALL TESTS ARE PERFORMED AT ROOM TEMPERATURE.
- ALL PARTS MUST PASS ALL TESTS.
- MARK ALL WIRES WITH BRADEY WIRE MARKERS 1" FROM END STRIPS, MARKER LABEL PER PIN OUT TABLE.
- REF-OPERATING TEMPERATURE RANGE -20°C TO 125°C .
- VOIDS LARGER THAN $\phi.035$ [0.89] ARE NOT ACCEPTABLE.
- PAVE-SEAL CAN BE A BI-DIRECTIONAL HERMETIC SEAL FOR VACUUM AND MOST PRESSURES. FOR PRESSURES ABOVE 150 PSI (10 BAR), CHECK WITH SALES ENGINEERING.
- DIMENSIONS ARE INCHES [millimeters].
- 1585R USES ITEMS 13 & 14 INSTEAD OF 4 & 5, RESULTING IN A DESCRIPTION THAT READS 3112S INSTEAD OF 3112P.

14	1	MS3476L12-10P	PLUG 10#20 PINS NICKEL PLATED ALUMINUM SOC CRIMP SERIES II
13	1	AE771L12-10S460	RCPT 10#20 SOCS NICKEL PLATED ALUMINUM, EPOXY INSERT
12	2	E20 GRAY	WIRE 20E MIL-W-16878 .010 7/28
11	2	E20 GREEN	WIRE 20E MIL-W-16878 .010 7/28
10	2	E20 ORG	WIRE 20E MIL-W-16878 .010 7/28
9	2	E20 YELLOW	WIRE 20E MIL-W-16878 .010 7/28
8	2	E20 WHITE	WIRE 20E MIL-W-16878 .010 7/28
7	1	-215 VITON	O-RING -215 VITON 75
6	1	M85049/52-1-12N	STRAIN RELIEF FOR MS3476L12-10
5	1	MS3476L12-10S	PLUG 10#20 SOCS NICKEL PLATED ALUMINUM SOC CRIMP SERIES II
4	1	SC3112E12-10P	RCPT 10#20 PINS NICKEL PLATED ALUMINUM, EPOXY INSERT
3	1	PAVE-Seal 150	EPOXY BLACK
2	1	0183	NUT VS15-SS
1	1	0161	HOUSING VS15L-SS
ITEM	QTY	PART#	DESCRIPTION

ALL DIMENSIONS AND TOLERANCES APPLY TO FINISHED PART IN INCHES
 ALLOWABLE TOLERANCES UNLESS SPECIFIED OTHERWISE: NONE +/-0.5
 .X DECIMAL +/- 0.1 .XX DECIMAL +/- 0.02 .XXX DECIMAL +/-0.005
 ANGLES +/- 1 DEG SURFACE FINISH 128 microinch RMS



DESCRIPTION PAVE-Mate II Connectors
 VS15L-SS-150-10-TE20-3112P*-36

PART NUMBER 1585*
 REVISION LEVEL G
 PROJECTION