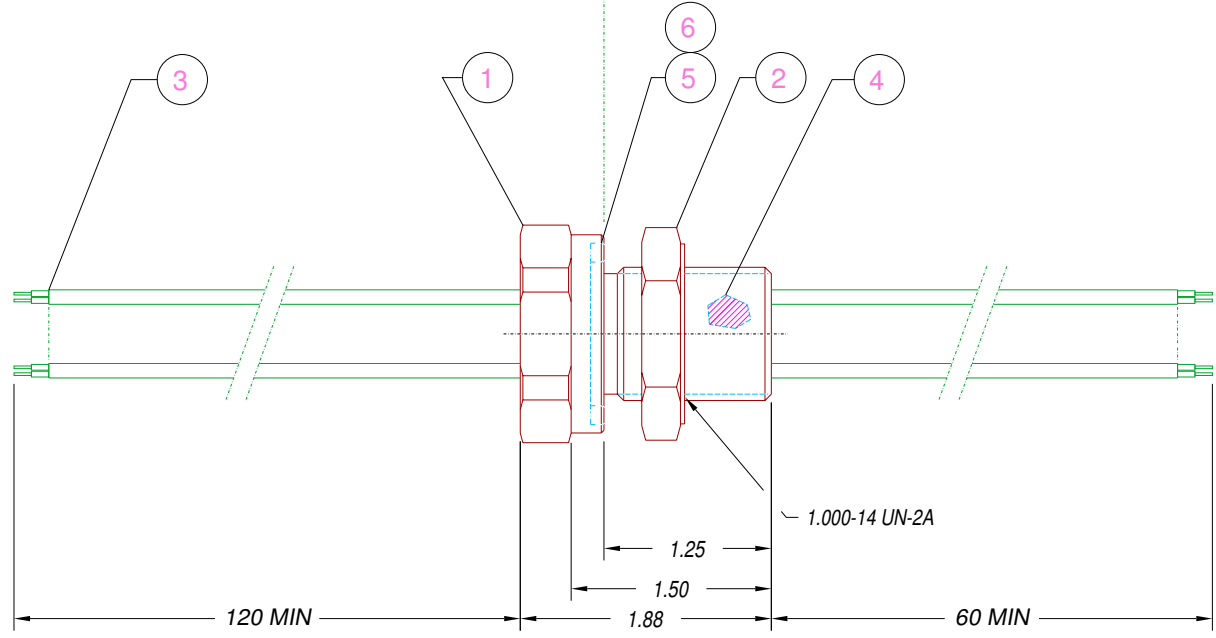
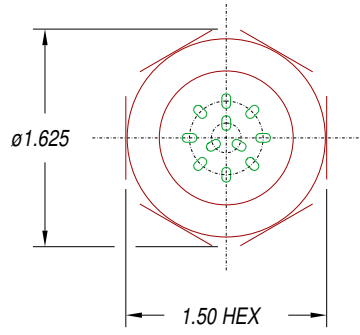


ATMOSPHERE VACUUM



- NOTES:
 1. ALL DIMENSIONS REFERENCE.
 2. HELIUM LEAK TEST: 10^{-7} cc/sec AE @ATM.
 3. HIPOT TEST: 630 VDC, 500 MEGOHMS, .01sec MIN.

6	A/R	SUPER-O-LUBE	LUBRICANT, O-RING
5	1	-215 VITON	O-RING, -215, VITON 75A
4	A/R	PAVE-Seal 150	EPOXY, BLACK
3	12@15'	CT24	WIRE, THERMOCOUPLE, TYPE CX, 24AWG
2	1	0183	NUT, VS15-SS
1	1	0161	HOUSING, VS15L-SS
ITEM	QTY	PART#	DESCRIPTION

PAVE Technology Co.
 2751 Thunderhawk Court
 Dayton, Ohio 45414-3445
 U.S.A.
 (937)890-1100
 fax (937)890-5165
 www.pavetechnologyco.com

TITLE OR PAVE ORDER CODE
VS15L-SS-150-12P-CT24-120-60

PART NUMBER
1586

PROJECTION