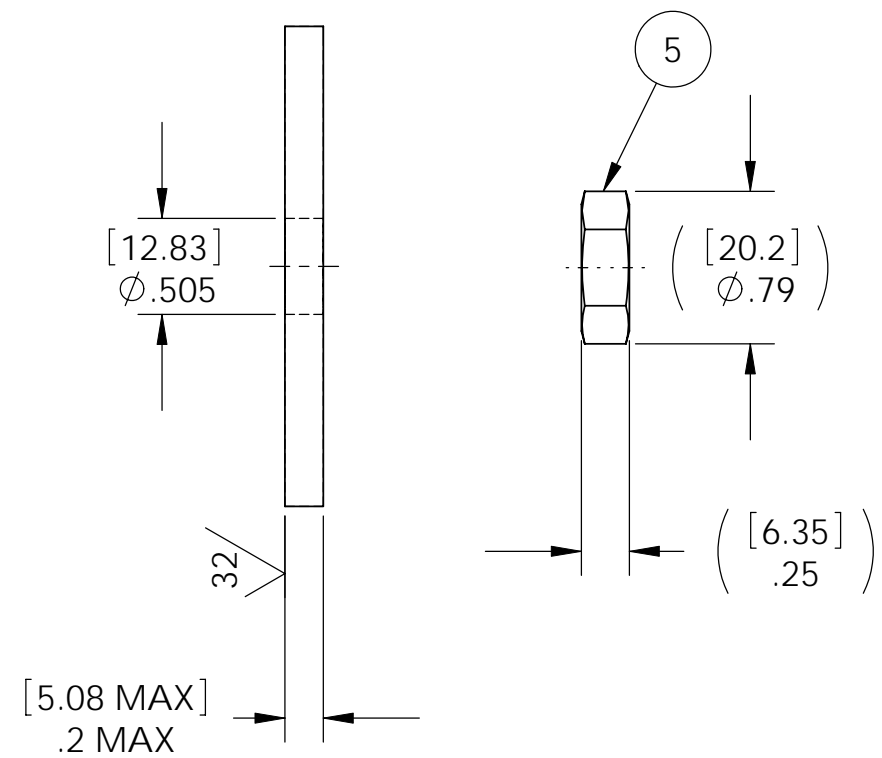


VS8 INSTALLATION PORT



NOTES:

1. LEAK TEST: 80 PSI, NO BUBBLES 9 MINUTES MINIMUM.
2. HYPOT 630 VDC 500 MEGOHMS MINIMUM 0.01 SECOND MINIMUM WIRE TO WIRE AND HOUSING.
3. ALL TESTS ARE PERFORMED AT ROOM TEMPERATURE.
4. ALL PARTS MUST PASS ALL TESTS.
5. WIRE POSITIONING IS APPROXIMATE & VARIABLE.
6. VOIDS LARGER THAN $\phi 0.035$ [.89] ARE NOT ACCEPTABLE.
7. REF-OPERATING TEMPERATURE RANGE -20°C TO 125°C.
8. DIMENSIONS ARE INCHES [millimeters].
9. PAVE-SEAL CAN BE A BI-DIRECTIONAL HERMETIC SEAL FOR VACUUM AND MOST PRESSURES. FOR PRESSURES ABOVE 150 PSI (10 BAR), CHECK WITH SALES ENGINEERING.

5	1	0894	NUT VS8-SS
4	1	-112 VITON	O-RING -112 VITON 75
3	1	BX20 CABLE	CABLE T/C TYPE K 20AWG TEFLON
2	A/R	PAVE-Seal 150	EPOXY BLACK
1	1	0892	HOUSING VS8-SS
ITEM	QTY	PART NUMBER	DESCRIPTION

PAVE technology co.

2751 Thunderhawk Court
Dayton, OH 45414-3445
U.S.A.
tel (937) 890-1100
fax (937) 8905165
www.pavetechnologyco.com

DESCRIPTION
VS8-SS-150-1P-BX20-180-36

PART NUMBER
1621

MATERIAL NOTED

REVISION LEVEL
A

PROJECTION

ALL DIMENSIONS AND TOLERANCES APPLY TO FINISHED PART IN INCHES.
ALLOWABLE TOLERANCES UNLESS SPECIFIED OTHERWISE: NONE ± 0.5
X.X DECIMAL ± 0.1 X.XX DECIMAL ± 0.02 X.XXX DECIMAL ± 0.005
ANGLES ± 1 DEGREE SURFACE FINISH 128 microinch RMS