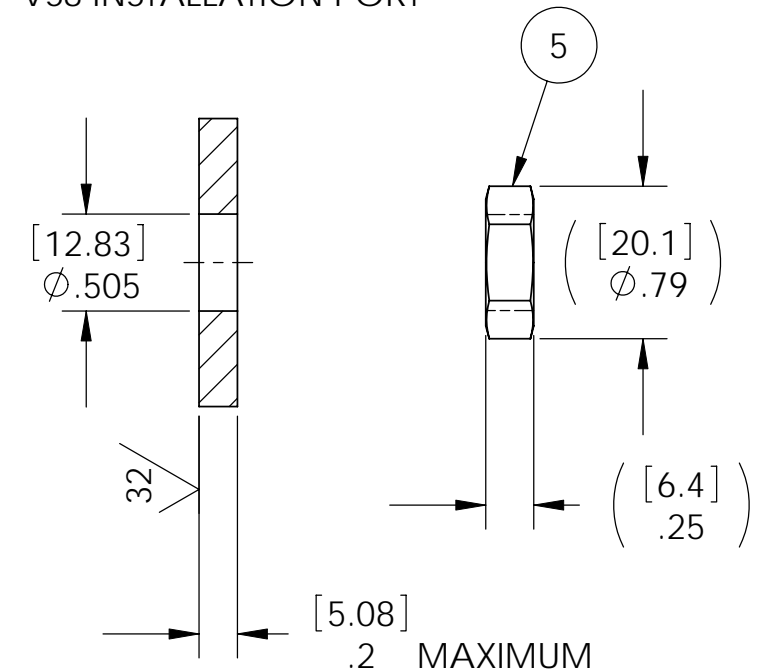


VS8 INSTALLATION PORT



NOTES:

1. LEAK TEST: 1050 PSI, NO BUBBLES 2 MINUTES MINIMUM.
2. HYPOT 630 VDC 500 MEGOHMS MINIMUM 0.01 SECOND MINIMUM WIRE TO WIRE AND HOUSING.
3. ALL TESTS ARE PERFORMED AT ROOM TEMPERATURE.
4. ALL PARTS MUST PASS ALL TESTS.
5. WIRE POSITIONING IS APPROXIMATE & VARIABLE.
6. VOIDS LARGER THAN  $\phi 0.035$  [.89] ARE NOT ACCEPTABLE.
7. REF-OPERATING TEMPERATURE -20 °C TO 125 °C.
8. DIMENSIONS ARE INCHES [millimeters].
9. PAVE-SEAL CAN BE A BI-DIRECTIONAL HERMETIC SEAL FOR VACUUM AND MOST PRESSURES. FOR PRESSURES ABOVE 150 PSI (10 BAR), CHECK WITH SALES ENGINEERING.

5	1	0894	NUT VS8-SS
4	1	-112 VITON	O-RING -112 VITON 75
3	2	TT24	CABLE T/C TYPE T#24 TEFLON
2	A/R	PAVE-Seal 150	EPOXY BLACK
1	1	0892	HOUSING VS8-SS
ITEM	QTY	PART NUMBER	DESCRIPTION

**PAVE technology co.**  
 2751 Thunderhawk Court  
 Dayton, OH 45414-3445  
 U.S.A.  
 tel (937) 890-1100  
 fax (937) 8905165  
 www.pavetechnologyco.com

DESCRIPTION  
 VS8-SS-150-2P-TT24-30-30

PART NUMBER  
**1997**

MATERIAL NOTED  
 REVISION LEVEL  
**A**

PROJECTION

ALL DIMENSIONS AND TOLERANCES APPLY TO FINISHED PART IN INCHES.  
 ALLOWABLE TOLERANCES UNLESS SPECIFIED OTHERWISE: NONE  $\pm 0.5$   
 X.X DECIMAL  $\pm 0.1$  X.XX DECIMAL  $\pm 0.02$  X.XXX DECIMAL  $\pm 0.005$   
 ANGLES  $\pm 1$  DEGREE SURFACE FINISH 128 microinch RMS