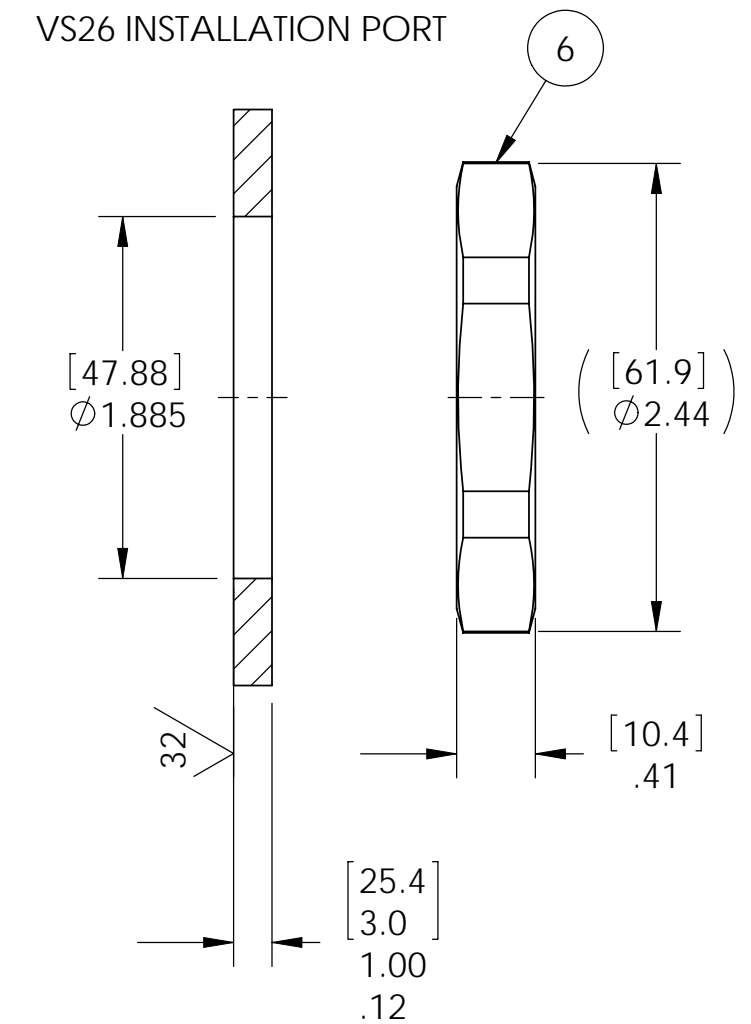
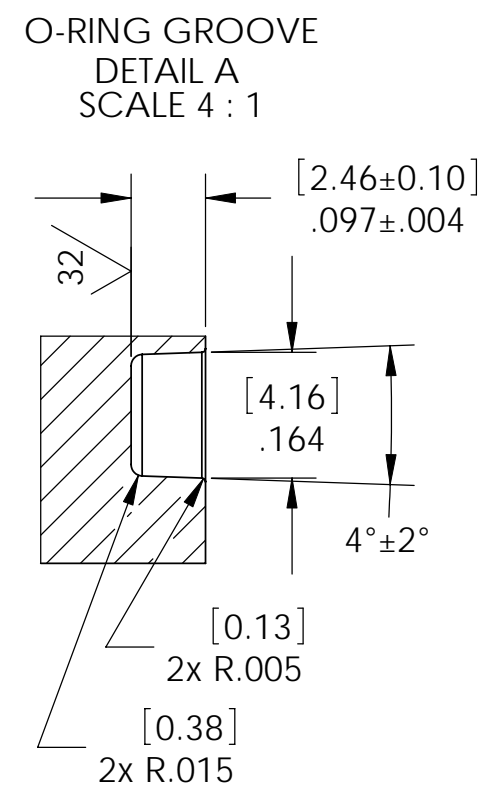
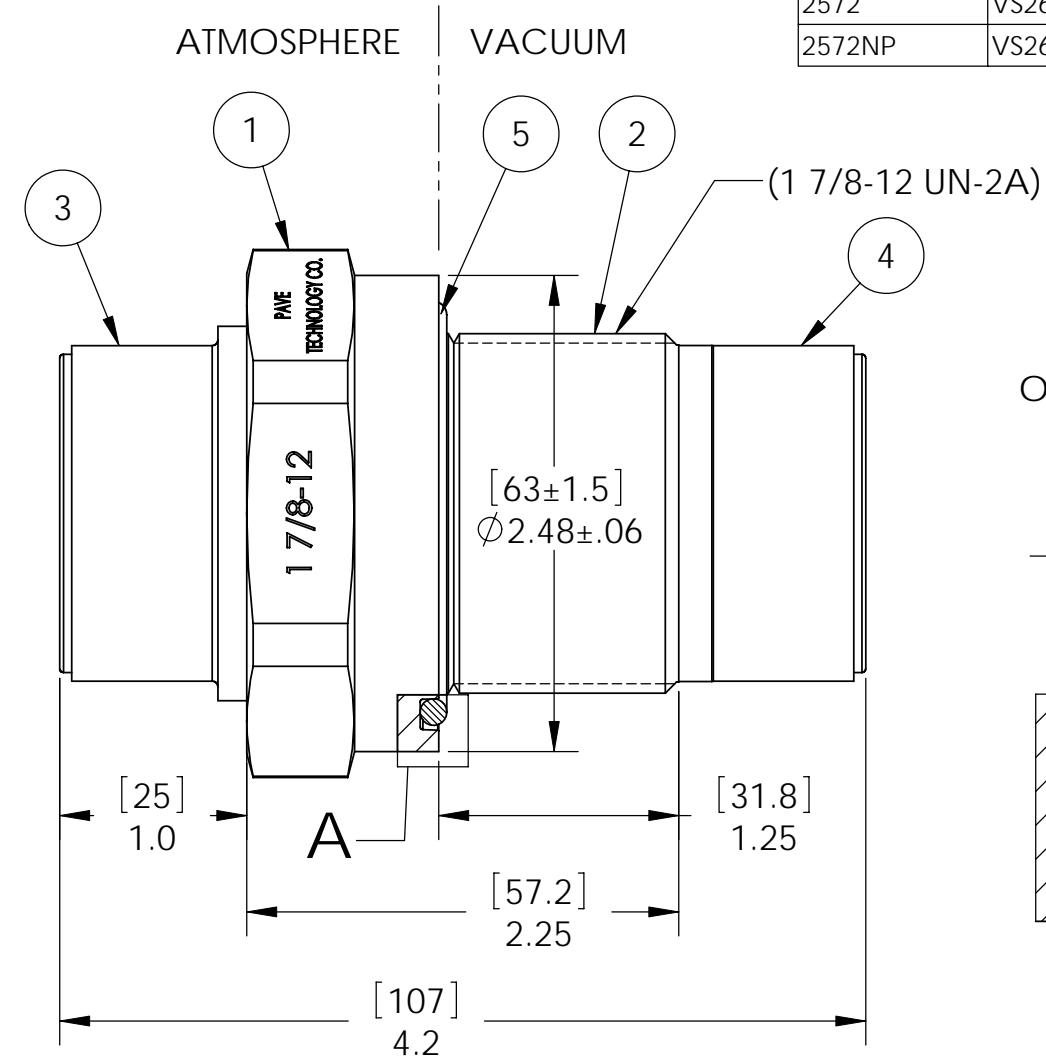
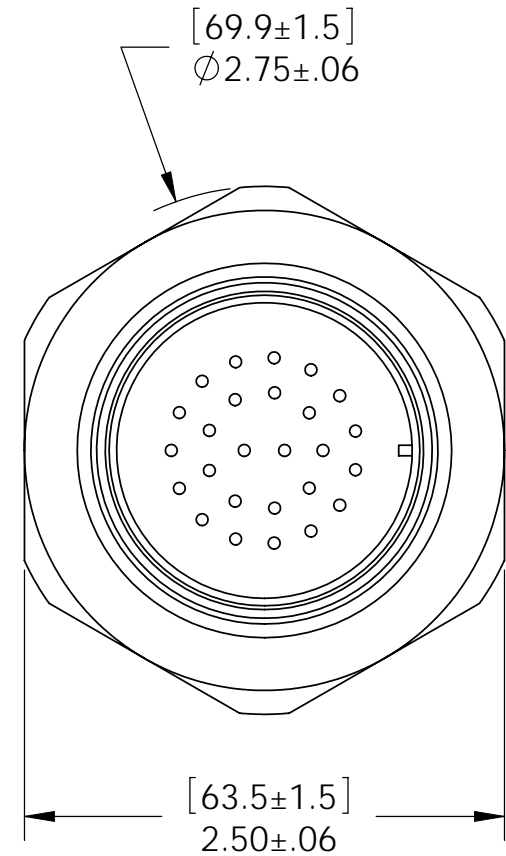


PAVE PART#	DESCRIPTION
2572	VS26-E-150-26-16-3102PS
2572NP	VS26-E-150-26-16-3102PS (NP)



- NOTES:
1. HE LEAK TEST VACUUM  $10 \times 10^{-7}$  CC/SEC OR LESS.
  2. HYPOT 630 VDC 500 MEGOHMS MINIMUM 0.01 SECOND MINIMUM WIRE TO WIRE AND INSERT.
  3. CONTINUITY TEST  $< 0.5 \Omega$  MATING CONNECTOR TO MATING CONNECTOR.
  4. ALL TESTS ARE PERFORMED AT ROOM TEMPERATURE.
  5. ALL PARTS MUST PASS ALL TESTS.
  6. NO VOIDS ARE ACCEPTABLE ON O-RING SEALING SURFACES, VOIDS SMALLER THAN  $\phi 0.035$  [.89] ARE ACCEPTABLE ON ALL OTHER SURFACES.
  7. FOR PART# 2572 ITEMS 7 & 8 ARE INCLUDED BUT NOT SHOWN & WILL BE SHIPPED WITH PART.
  8. FOR PART# 2572NP (NO MATING PLUGS) ITEMS 7 & 8 ARE NOT INCLUDED.
  9. DIMENSIONS ARE INCHES [millimeters].

ITEM	QTY	PART NUMBER	DESCRIPTION
8	1	SC3106A28-12S	PLUG 26#16 ELECTROLESS NICKEL PLATED SOC
7	1	SC3106A28-12P	PLUG 26#16 ELECTROLESS NICKEL PLATED PIN
6	1	0185	NUT VS26-SS
5	1	-226 VITON	O-RING -226 VITON 75
4	1	SC3102A28-12S	RCPT 26#16 ELECTROLESS NICKEL PLATED BLUE INSERT SOC
3	1	SC3102A28-12P	RCPT 26#16 ELECTROLESS NICKEL PLATED BLUE INSERTS PIN
2	1	0222	THREAD INSERT VS26-SS
1	A/R	PAVE-Seal 150	EPOXY BLACK

ALL DIMENSIONS AND TOLERANCES APPLY TO FINISHED PART IN INCHES.  
ALLOWABLE TOLERANCES UNLESS SPECIFIED OTHERWISE: NONE ±0.5  
X.X DECIMAL ±0.1 X.XX DECIMAL ±0.02 X.XXX DECIMAL ±0.005  
ANGLES ±1 DEGREE SURFACE FINISH 128 microinch RMS

**PAVE technology co.**  
2751 Thunderhawk Court  
Dayton, OH 45414-3445  
U.S.A.  
tel (937) 890-1100  
fax (937) 8905165  
www.pavetechnologyco.com

DESCRIPTION: SEE TABLE  
PART NUMBER: 2572\*  
MATERIAL: NOTED  
REVISION LEVEL: B  
PROJECTION: