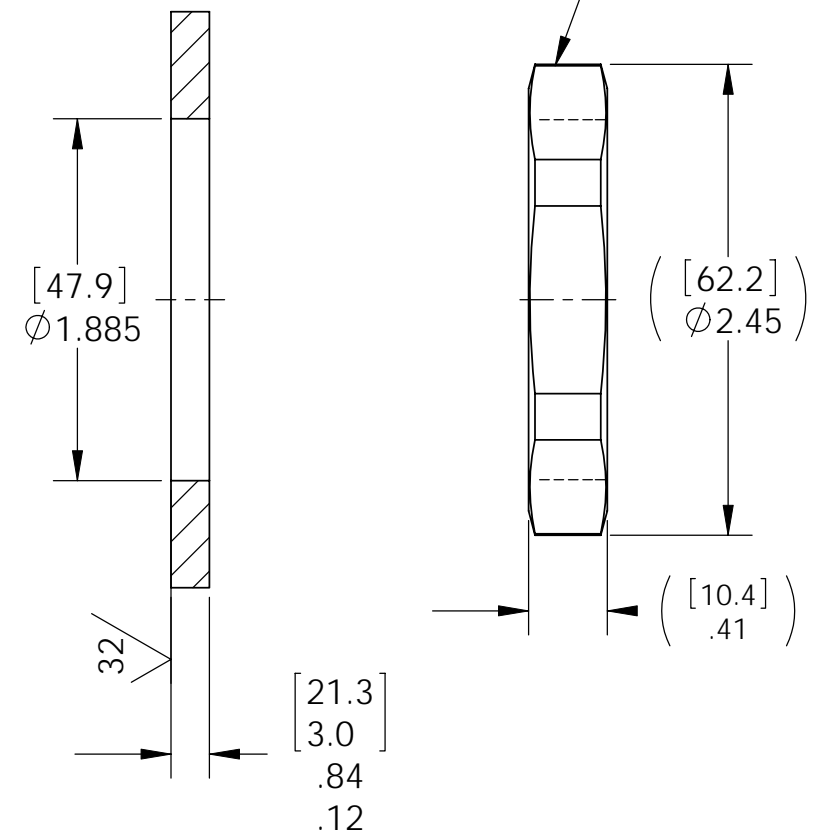


VS26 INSTALLATION PORT



NOTES:

1. HE LEAK TEST VACUUM 5×10^{-8} CC/S OR LESS.
2. HYPOT 630 VDC 500 MEGAOHMS MINIMUM 0.01 SECOND MINIMUM PIN TO PIN AND HOUSING W/ MATING CONNECTORS.
3. CONTINUITY TEST W/ MATING CONNECTORS <0.5 OHMS.
4. ALL TESTS ARE PERFORMED AT ROOM TEMPERATURE.
5. ALL PARTS MUST PASS ALL TESTS.
6. REF-OPERATING TEMPERATURE RANGE -25 °C TO 125 °C
7. SHELLS FOR ITEMS 2 & 3, AND HOUSING (ITEM 1) TO HAVE ELECTRICAL CONTINUITY.
8. DIMENSIONS ARE INCHES [millimeters].
9. PAVE-SEAL CAN BE A BI-DIRECTIONAL HERMETIC SEAL FOR VACUUM AND MOST PRESSURES. FOR PRESSURES ABOVE 150 PSI (10 BAR), CHECK WITH SALES ENGINEERING.

6	1	0185	NUT VS26-SS
5	A/R	PAVE-Seal 150	EPOXY BLACK
4	1	-226 VITON	O-RING -226 VITON 75
3	1	26FD05PN	PLUG 5 #16 999 SERIES III
2	1	20FD05SN	RCPT 5 #16 999 SERIES III
1	1	3664	HOUSING VS26-SS
ITEM	QTY	PART NUMBER	DESCRIPTION

PAVE technology co.

2751 Thunderhawk Court
Dayton, OH 45414-3445
U.S.A.
tel (937) 890-1100
fax (937) 8905165
www.pavetechnologyco.com

DESCRIPTION
VS26-SS-150-5-16-999PS

PART NUMBER
2743

MATERIAL NOTED

REVISION LEVEL
C

PROJECTION

ALL DIMENSIONS AND TOLERANCES APPLY TO FINISHED PART IN INCHES.
ALLOWABLE TOLERANCES UNLESS SPECIFIED OTHERWISE: NONE ±0.5
X.X DECIMAL ±0.1 X.XX DECIMAL ±0.02 X.XXX DECIMAL ±0.005
ANGLES ±1 DEGREE SURFACE FINISH 128 microinch RMS