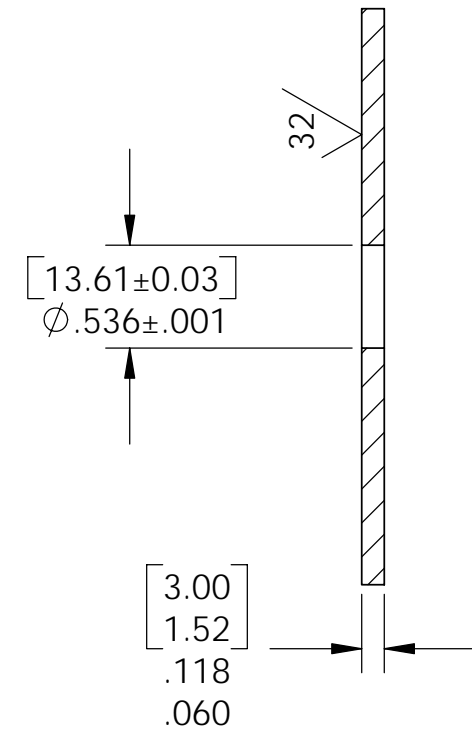


VS7 INSTALLATION PORT



NOTES:

1. LEAK TEST @ 8 PSI, NO BUBBLES 30 SECONDS MINIMUM (SAMPLE ONLY).
2. WIRE POSITIONING IS APPROXIMATE & VARIABLE.
3. VOIDS LARGER THAN ∅ .035 [.89] ARE NOT ACCEPTABLE.
4. DIMENSIONS ARE IN INCHES [millimeters].

7	2	TZ24 WHITE	WIRE 24TZ M22759/44-24-9 .006 19/#36
2	A/R	PAVE-Seal 150	EPOXY BLACK
1	1	59-111	PUSHBUTTON SEALED PANEL MINIATURE
ITEM	QTY	PART NUMBER	DESCRIPTION

**PAVE technology co.**

2751 Thunderhawk Court  
Dayton, OH 45414-3445  
U.S.A.  
tel (937) 890-1100  
fax (937) 8905165  
www.pavetechnologyco.com

DESCRIPTION  
VS7-ZA-80-2-TZ24-BUTTON-12

PART NUMBER  
**3206**

REVISION LEVEL **D**  
PROJECTION

ALL DIMENSIONS AND TOLERANCES APPLY TO FINISHED PART IN INCHES.  
ALLOWABLE TOLERANCES UNLESS SPECIFIED OTHERWISE: NONE ±0.5  
X.X DECIMAL ±0.1 X.XX DECIMAL ±0.02 X.XXX DECIMAL ±0.005  
ANGLES ±1 DEGREE SURFACE FINISH 128 microinch RMS