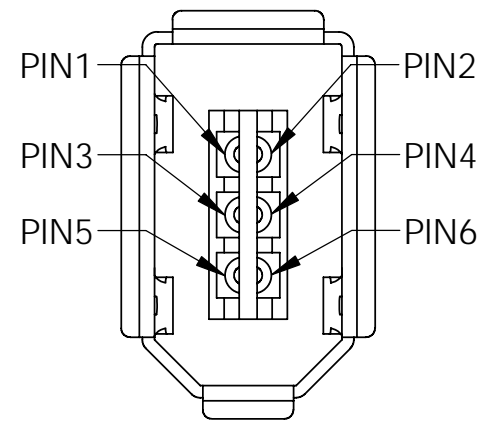
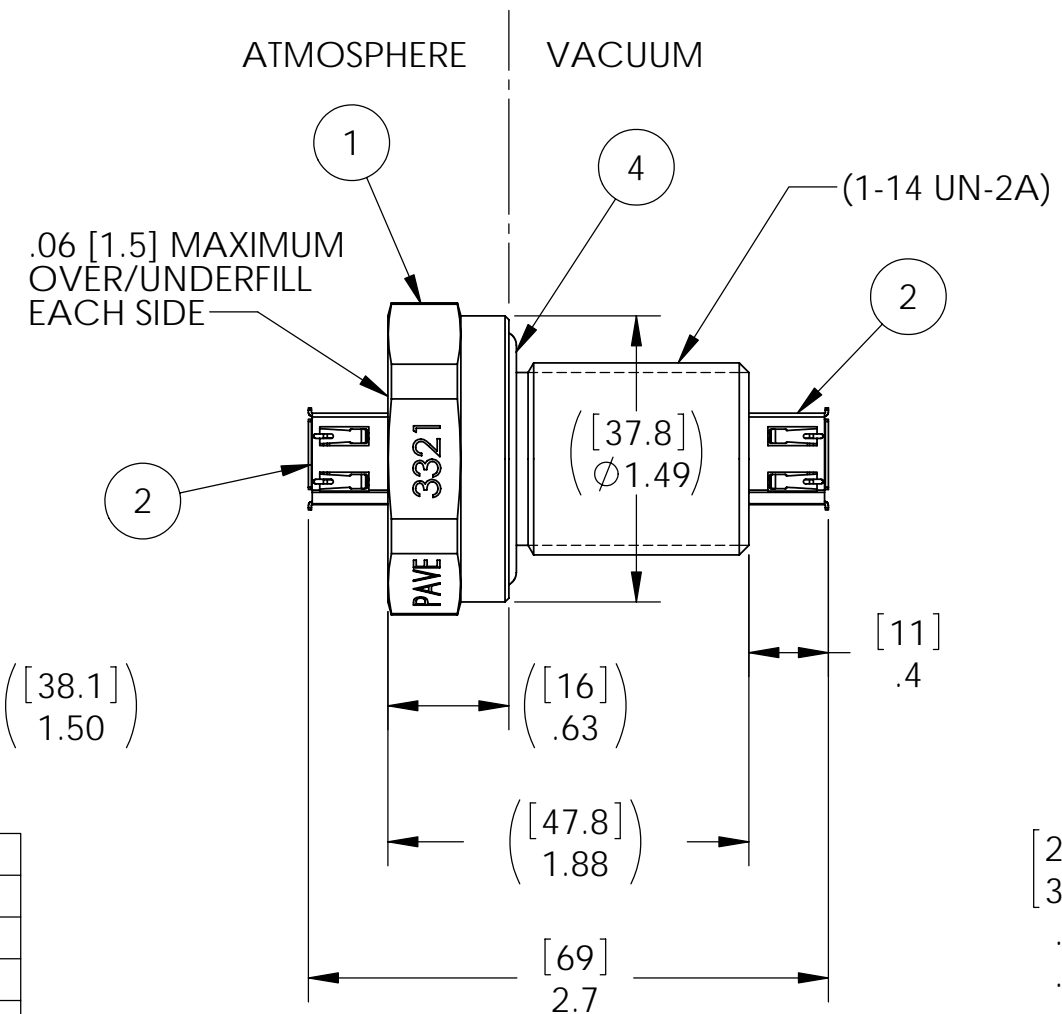


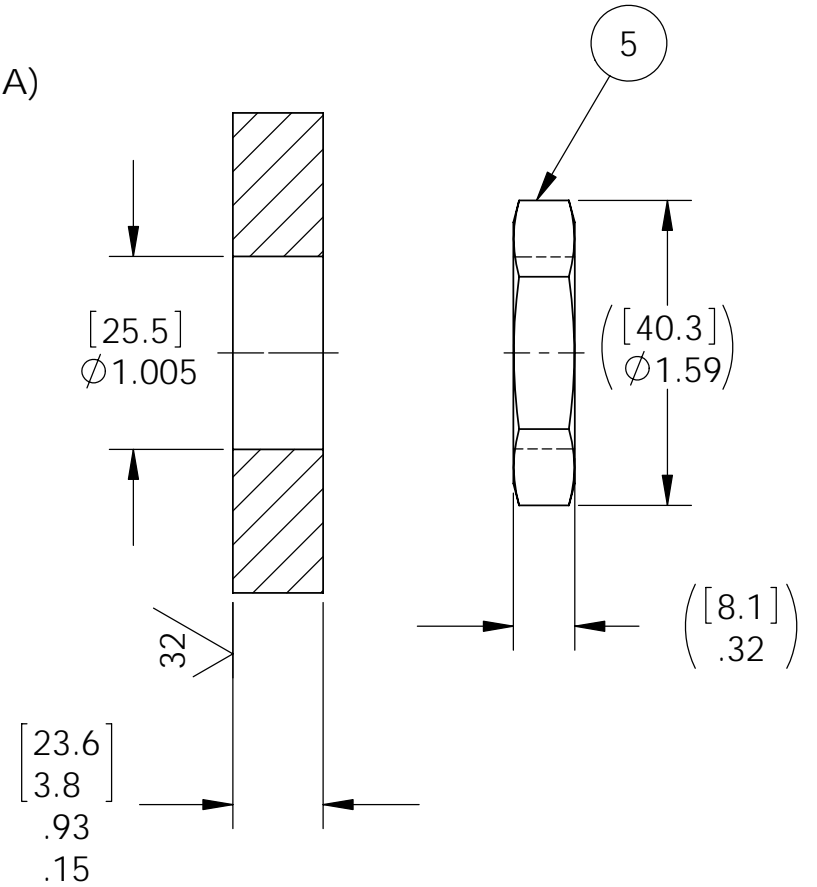
IEEE 1394 PIN-OUT
SCALE: 4:1



PIN1	POWER
PIN2	GROUND
PIN3	TPB-
PIN4	TPB+
PIN5	TPA-
PIN6	TPA+



VS15L INSTALLATION PORT



NOTES:

1. HE LEAK TEST VACUUM 10×10^{-7} CC/SEC OR LESS.
2. HYPOT 630 VDC 500 MEGOHMS MINIMUM 0.01 SECOND MINIMUM PIN TO PIN AND HOUSING WITH MATING PLUG.
3. ALL TESTS ARE PERFORMED AT ROOM TEMPERATURE.
4. ALL PARTS MUST PASS ALL TESTS.
5. VOIDS LARGER THAN $\phi .035$ [.89] ARE NOT ACCEPTABLE.
6. REF-OPERATING TEMPERATURE -20°C TO 105°C .
7. DIMENSIONS ARE INCHES [millimeters].

ITEM	QTY	PART NUMBER	DESCRIPTION
5	1	0183	NUT VS15-SS
4	1	-215 VITON	O-RING -215 VITON 75
3	A/R	PAVE-SEAL 150	EPOXY BLACK
2	2	RFS-6602	CONNECTOR 6-PIN IEEE 1394
1	1	0161	HOUSING VS15L-SS

PAVE technology co.
 2751 Thunderhawk Court
 Dayton, OH 45414-3445
 U.S.A.
 tel (937) 890-1100
 fax (937) 8905165
 www.pavetechnologyco.com

DESCRIPTION VS15L-SS-150-6-28-IEEE1394 (FIREWIRE)	
PART NUMBER 3321	MATERIAL NOTED REVISION LEVEL A
PROJECTION 	

ALL DIMENSIONS AND TOLERANCES APPLY TO FINISHED PART IN INCHES.
 ALLOWABLE TOLERANCES UNLESS SPECIFIED OTHERWISE: NONE ± 0.5
 X.X DECIMAL ± 0.1 X.XX DECIMAL ± 0.02 X.XXX DECIMAL ± 0.005
 ANGLES ± 1 DEGREE SURFACE FINISH 128 microinch RMS